



1760
1762

EASYCLEAR 3000/4500

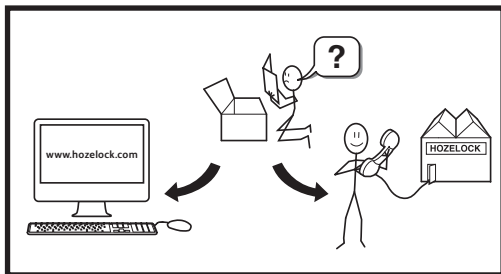


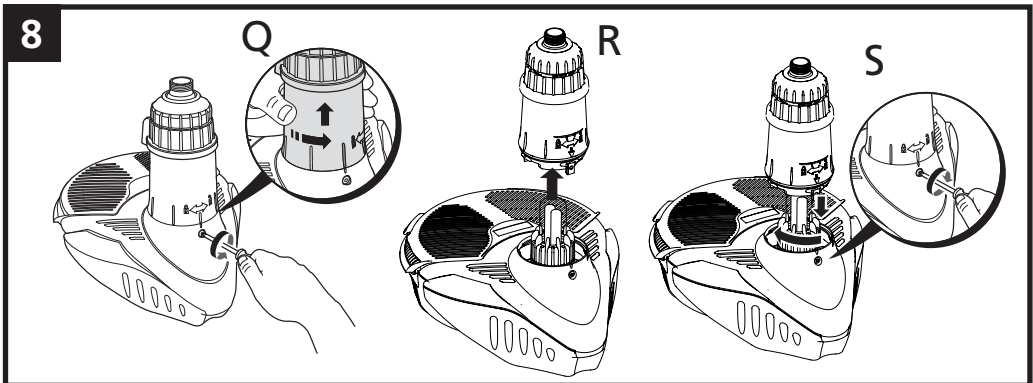
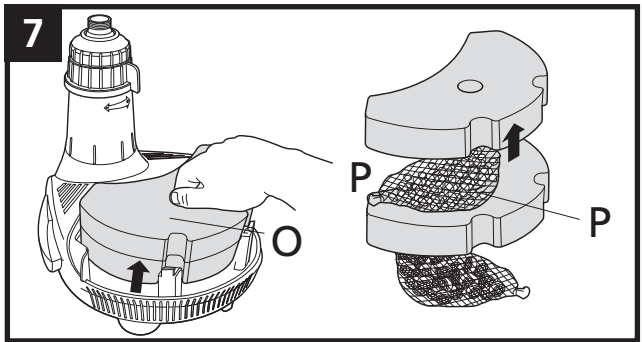
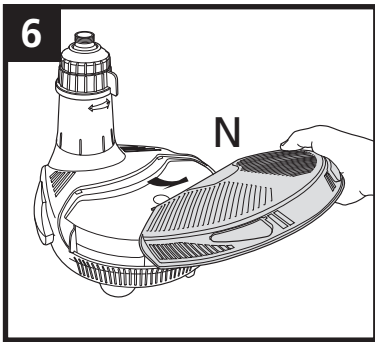
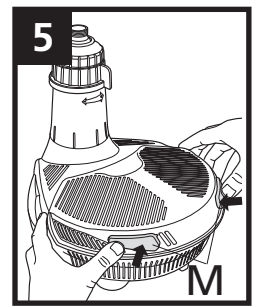
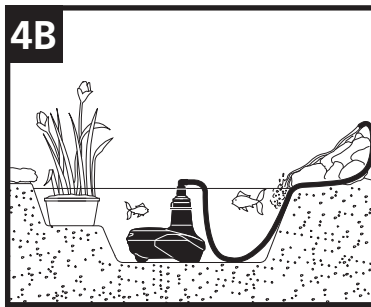
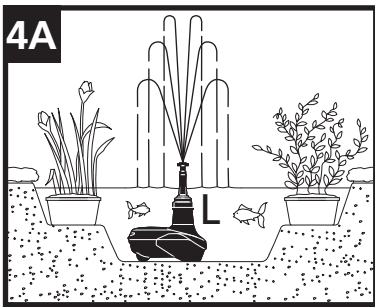
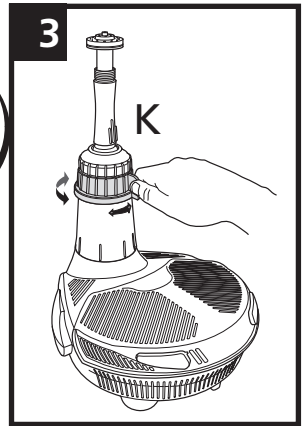
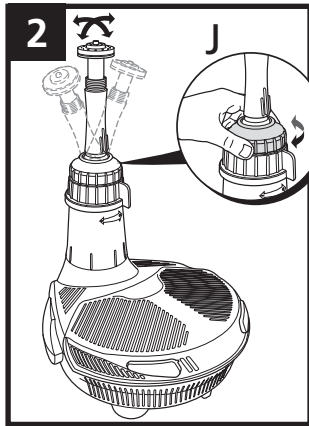
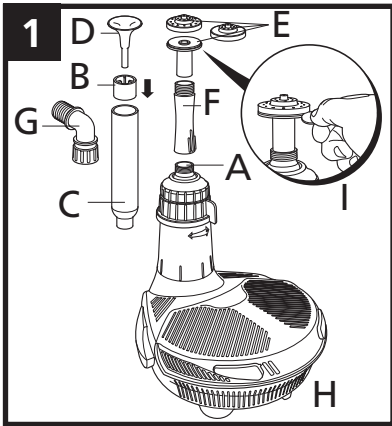
RoHS
COMPLIANT
2002/95/EC

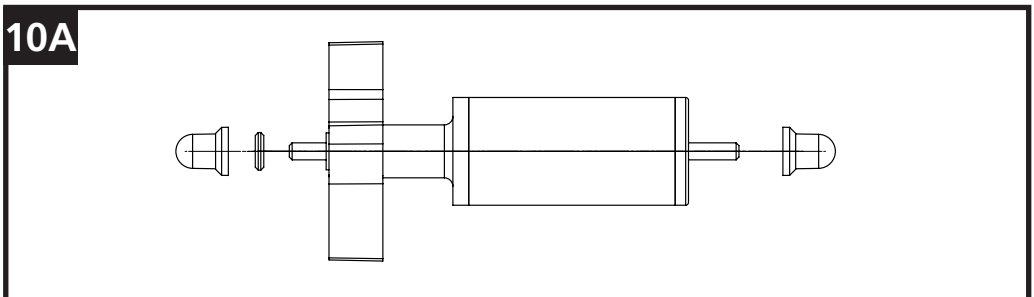
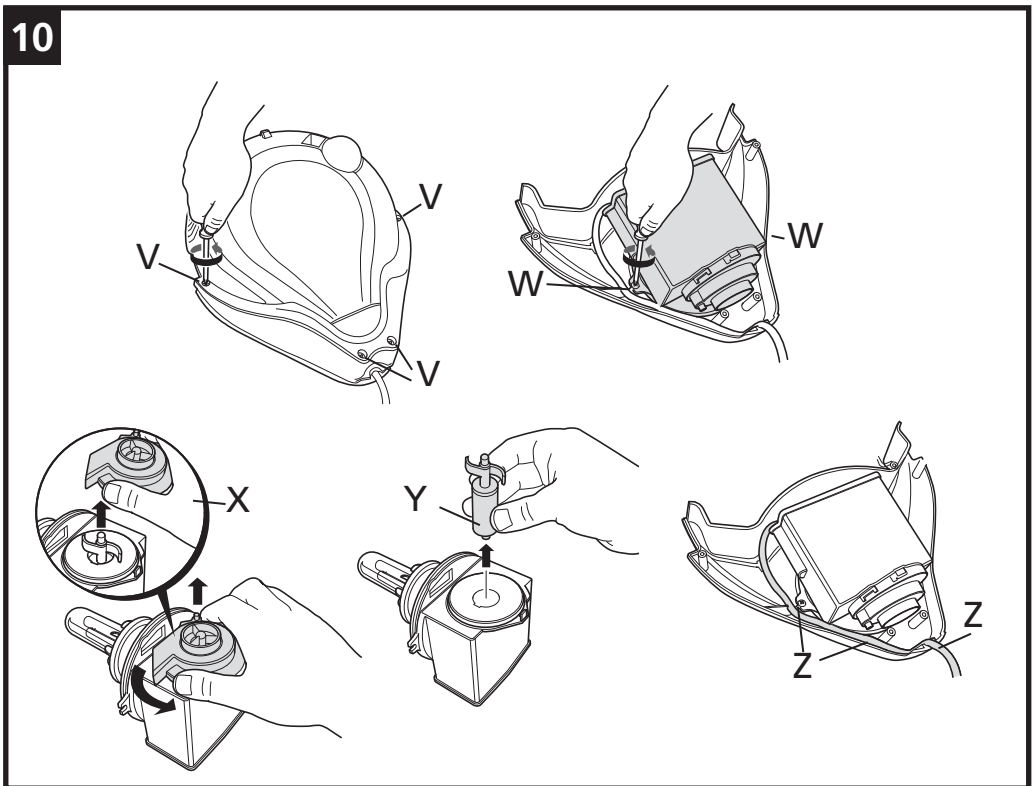
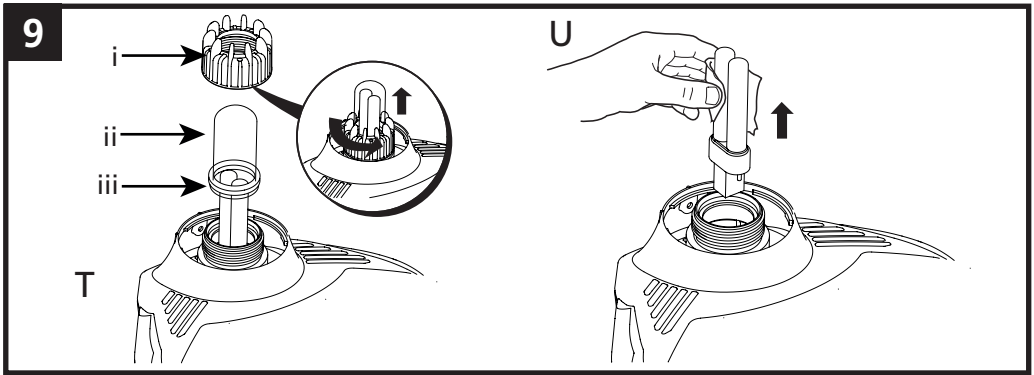


Hozelock Ltd.
Midpoint Park, Birmingham,
B76 1AB, England
Tel: +44 (0) 121 313 1122

www.hozelock.com
33902-000







GB

Thank you for choosing a HozeLOCK quality product, you can be assured of many years of reliable service from this product.

INSTALLATION & OPERATING INSTRUCTIONS



READ THESE INSTRUCTIONS CAREFULLY BEFORE ATTEMPTING INSTALLATION.

FAILURE TO OBSERVE THE FOLLOWING NOTICES MAY RESULT IN INJURY, PRODUCT DAMAGE OR LOSS OF FISH.

KEEP THESE INSTRUCTIONS FOR FUTURE REFERENCE.

The HozeLOCK Cyprio EasyClear™ Fountain or Waterfall pump is designed for submersible use in outdoor ponds. It is an integrated unit that provides Mechanical & Biological Filtration with an Ultra Violet Clarifier and a Fountain or Waterfall.

Attention: UV Caution

This appliance contains a UV-C emitter. Unintended use of the appliance or damage to the housing may result in the escape of dangerous UV-C radiation. UV-C radiation may, even in little doses, cause harm to the eyes and skin. The lamp is fitted with an interlock that will turn the lamp off when the bayonet is removed (fig 8-5).

When switched on, the lamp can be checked for operation in dark conditions, by looking for a bluish glow from the Fountain outlet (Fig 1-A). Do not run the product dry.

Warning: Do not attempt to operate the UV-C emitter when it is removed from the appliance housing.

Warning: The appliance must be disconnected from the supply before replacing the UV-C emitter.

Important

This appliance must only be used by or under the supervision of a responsible adult who is capable of using the appliance in a safe way and who understands the hazards involved. Use and store this appliance out of reach of children and persons with reduced physical, sensory, or mental capabilities.

Warning: Safety & Electrical Connections

1.1 WARNING: ALWAYS UNPLUG OR DISCONNECT ALL APPLIANCES IN THE POND FROM THE ELECTRICITY SUPPLY BEFORE PUTTING YOUR HANDS IN THE WATER WHILST EQUIPMENT IS BEING INSTALLED, REPAIRED, CARRYING OUT ANY

MAINTENANCE OR BEING HANDLED IN ANY WAY.

- 1.2 This filter has been designed for the use with garden ponds only. Do not use this filter for any other use (i.e. do not use this filter in swimming pools, etc). Using the product for any other application may result in injury or product damage. This pump must not be used when people are in the water.
- 1.3 Appliances that are obviously damaged must not be operated.
- 1.4 The clear tube inside the unit is made from quartz glass and care should be taken during installation and maintenance. We recommend the use of eye protection and suitable gloves.
- 1.5 Do not remove and operate the pump unit from its outer housing. Using the unit without its outer housing may invalidate your warranty.
- 1.6 **Important:**
This product is supplied with 10m of 3-core electric cable . It is designed to be permanently wired to the mains supply. For connection to the mains supply use only 3-core cable (ref HO5 RN-F). This has a minimum copper cross-section of 0.75mm² with Polychloroprene-Rubber insulation. The termination to the mains supply should be:
 - a) Permanent.
 - b) Inside a dry weatherproof enclosure.
 - c) Through a double pole switched fused spur to BS 3676.
 - d) Fitted with a 3 or 5 amp fuse.
- 1.7 If an extension cable is required, this should be connected to the end of the unit cable using a weatherproof connector. The joint must be positioned in a suitable weatherproof housing. The extension cable should be of 3 core 0.75mm² Polychloroprene rubber insulated cable (ref: HO5 RN-F) and permanently wired to the mains supply as described above in 1.6.
- 1.8 **WARNING:** This appliance **MUST** be earthed and it is essential that the connections are made using the following code:
 - BROWN - live
 - BLUE - neutral
 - GREEN/YELLOW - earth.
- 1.9 Exposed cable runs should be sensibly positioned and protected by armoured conduit, especially if there is a risk of contact with gardening equipment such as forks and lawnmowers, or children and domestic animals.
- 1.10 Do not operate this product if the mains supply cable has become damaged in any way. The supply cable is permanently connected and

sealed to the pump and cannot be replaced. If the cable is damaged, the unit should be disposed of according to local regulations.

- 1.11 A 30mA maximum Residual Current Device (RCD) MUST be fitted to the mains supply.
- 1.12 Permanent installations to the mains supply (hard wiring), must conform to the national and local wiring regulations. If in any doubt about wiring to the mains supply, consult a qualified electrician or local electricity authority.
- 1.13 Do not use the supply cable to lift the unit, as this may cause damage. We recommend fitting a lifting cord to the hook feature on the base, when the filter is installed in deep water. (Fig 1-H). If the product needs to be moved, the product should be switched off and lifted out of the water using this cord.
- 1.14 Do not switch the pump on out of water! The water level should be above the UVC indicator at the ball joint (Fig 4A-L).
- 1.15 Do not operate or leave the unit in freezing conditions. (See the section, "Winter Storage").
- 1.16 This product is not suitable for water temperatures above 35°C or below 0°C.
- 1.17 Only use accessories which have been designed for use with this product. The use of any other accessories or spares may invalidate your guarantee.

Installing this product in the garden is classed as 'notifiable' in the Regulations for England and Wales. The Regulations require you to tell your local authority building control department that you intend to install this product before installation. Your local authority will let you know how you can get your installation approved.

Overload Protection

To help ensure your EasyClear's long life and to prevent damage, it is fitted with automatic thermal overload protection. This switches the pump or UV lamp off if either overheats. If this occurs, switch off the power at the mains supply to the unit. If it is the pump that has activated the Overload Protection, check for the cause (it is usually debris blocking the inlet of the pump or obstructing the impeller). Remove the obstruction and wait 15 minutes for the unit to cool down. Then switch it on again.

If it is the UV lamp that is activating the overload protection (pump is still running but UV lamp keeps going out after running for a short time), please contact Hozelock Consumer Services Helpline on +44 (0)121 313 1122.

Remember: The lamp is fitted with an interlock that will turn the lamp off when the bayonet is removed (fig 8-S), so you can only see if the lamp is working in

dark conditions, by looking for a bluish glow from the Fountain outlet (Fig 1-A) with the bayonet tube locked in position.

NOTE: YOU MUST SWITCH OFF THE MAINS SUPPLY BEFORE THE UNIT WILL RESET.

CAUTION: To avoid a safety hazard due to inadvertent resetting of the thermal overload protection, this product must not be used with an external switching device, such as a timer, or connected to a circuit that is regularly switched on and off by the electricity supply.

Periods of Operation

Keep the filter working 24 hours a day. Ideally it should run all year round, but at least throughout the fish-feeding season, (i.e. until the water temperature falls below 10°C and the fish stop feeding). In winter, operating the unit will maintain a basic level of useful bacteria in the Biological Filter, and will help prevent the pond icing over. However, the unit must not be allowed to freeze. If you switch the unit off for winter, wash the unit thoroughly before resuming filtration in the spring (see 'Winter Storage'). Never feed your fish when the unit is not in use.

Before First Use

Inappropriate handling of this product during transit may result in damage to the quartz tube. Please inspect the quartz tube and seal before installation. See the section "Maintenance" for details on how to access the quartz tube and lamp.

Installation

Position - Construct a solid and level platform on which to place the EasyClear™. The platform should be greater than 300 mm (12") below the water level. For depths between 300mm and 600mm use the fountain stem extension segments (Fig 1-F), which simply screw together, to allow the fountain to be above the water level. For general installation see Fig 4-A/B. When using the EasyClear for a waterfall the entire unit should be submersed.

Connection - Place the unit next to the pond and route the cable back to the mains supply. Ensure that you allow for enough cable for positioning the product in the desired location in the pond.

Accessory Assembly

Bell Fountain (Fig 1).

Locate the Bell Support (B) to the Bell Main Body (C) and push fully home.

Position the Bell (D) to the Body Assembly and press into the central location.

2 and 3 tier fountain display assembly (Fig 1-I).

The plastic discs (Fig 1-E) that create the 2 and 3 tier water displays simply snap onto the fountain

stem. Push the fountain stem into the fountain stem extension segment and screw onto the fountain outlet (Fig 1-A).

Fountain Only Operation

(Fig 4-A for general installation guide)

Please note: The product has a water by-pass to control water flow rates which means a quantity of water will always come out of the product just below the flow control. This is normal in operation.

Position the unit in the pond. The fountain angle can be adjusted to be vertical using the ball joint (Fig 2-A).

The tightness of the ball joint can be adjusted (Fig 2-J).

If required, the 2-Tier Fountainhead can be used to achieve an alternative and higher display pattern than the 3-Tier.

The fountain height can be adjusted to suit your needs by rotating the Fountain Flow Adjuster (Fig 3-K).

The Bell Fountain creates a decorative waterbell. The size of the bell can be adjusted to suit your needs by rotating the Fountain Flow Adjuster (Fig 3-K).

Waterfall Only Operation

(Fig 4-B for general installation guide)

Position the pump as previously described.

Attach a suitable length (3m maximum) of 25 mm (1") hose to the waterfall hose tail (Fig 1-G) and secure with a suitable hose clip and position the outlet end of the hose in the desired position.

Screw the waterfall hose tail to the fountain outlet of the EasyClear™ (Fig 1-A) and adjust the flow using the fountain flow adjuster, (Fig 3-K), to suit your needs.

Note: The maximum recommended waterfall height above pond level is 0.5m (Fig 4-B).

UVC Operation

The UVC will automatically switch on once the unit has been connected to the electricity supply if the bayonet tube is correctly locked in place.

The UVC lamp can be checked for operation by looking for a bluish glow from ball joint outlet (Fig 1-A). Please note that this may only become visible in low light conditions.

See Maintenance section for Lamp replacement.

Maintenance

The Hozelock Cyprio EasyClear™ has been designed to allow fast and easy maintenance. As with all pond equipment, occasionally it will become necessary to clean or replace parts.

WARNING: Disconnect this product from the electricity supply and refer to the section "Safety & Electrical Connections" before attempting any maintenance.

Fountain Head (Fig 1-I)

Follow the below procedure if the fountain head is blocked:

- 1 - Place a coin or similar in the slot and gently lever off the fountain head.
- 2 - Rinse in clean water and reassemble.

Foam

Follow the below procedure if flow appears reduced:

- 1 - Release the Foam Cover by pushing the two buttons (Fig 5-M) and lift the cover (Fig 6-N).
- 2 - Remove the Foam (Fig 7-O). Note:- If the unit is out of the pond for more than 20 minutes the biological filter action may stop working. Rinse thoroughly in pond water (do not use tap water).
- 3 - The Foam Cover and Base should also be rinsed in pond water (do not use tap water).
- 4 - It may also be necessary to clean out the biomedica and stones (Fig 7-P) if these have become clogged. If this is necessary, the biomedica and stones should be rinsed in pond water only.
- 5 - Reassemble the Filter.

Quartz Tube

Follow the below procedure if your pond remains green:

- 1 - Remove the bayonet locking screw (Fig 8-Q), twist and lift the bayonet tube (Fig 8-R).
- 2 - Clean the Quartz Tube. Take extra care when handling the Quartz tube. In hard water areas, the quartz tube may become covered in limescale, which will reduce efficiency. Clean the tube with a soft cloth and a gentle de-scaler (such as vinegar and water), rinse in water before refitting.
- 3 - Reassemble the bayonet tube and screw and restart (Fig 8-S).

Warning! Ensure that the quartz tube is not damaged before refitting.

Lamp Replacement

Follow the below procedure if the lamp needs replacing or does not illuminate:

Change the lamp at the start of the new season. Even though the lamp still glows it may not be giving out any useful UV radiation. How well the EasyClear™ performs is related to the strength of the UV radiation produced. This will slowly decline from the day your lamp is switched on. The UVC lamp has an effective life of 12 months. You need to change the lamp when there is a significant reduction in water clarity. Make sure this is due to an expired lamp and not a badly maintained filter or a dirty/limescaled quartz sleeve. Both can greatly reduce UV transmission into the water.

- 1 - Remove the bayonet locking screw (Fig 8-Q), twist

and lift the bayonet tube (Fig 8-R).

- 2 - Unscrew the quartz tube locking collar (Fig 9-T-i). Gently hold the quartz tube (Fig 9-T-ii), lift up and remove together with its o-rings (Fig 9-T-iii) and locking collar.
- 3 - Remove the old lamp by gently pulling it from its holder (Fig 9-U). Dispose of the old lamp according to local regulations and fit the new lamp.
- 4 - Slide the quartz tube down over the lamp. Ensure that the two o-rings at the base of the quartz tube are clean and free from debris.
- 5 - Slide the locking collar down over the quartz tube and screw down. You should screw down until the stop of the locking collar hits the stop of the housing so that the collar cannot be screwed down any more.
- 6 - Reassemble the bayonet tube and screw and restart (Fig 8-S).

WARNING! ENSURE THAT THE QUARTZ TUBE IS ASSEMBLED CORRECTLY SO THAT IT PROVIDES A COMPLETELY WATERTIGHT SEAL.

Check the condition of the two o-rings on the Quartz Tube Assembly (Fig 9-T-iii). If these are damaged in any way or you cannot guarantee a water tight seal, contact Hozelock Consumer Services.

Biological Filter

Normally, there is no need to remove the biomedica as any cleaning may kill the colonies of bacteria that make toxic waste harmless. However if the biomedica becomes heavily clogged and does require cleaning follow this procedure.

- 1 - Remove the foam.
- 2 - The bag of Kaldnes Biomedica (Fig 7-P) can then be removed for cleaning.
- 3 - Wash in pond water.
- 4 - Reassemble the filter and restart.

Rotor Cleaning/Replacement

If the no water is being pumped or flow is reduced, remove the quartz tube and lamp as described above, then follow the below procedure.

- 1 - Release the Foam Cover by pushing the two buttons (Fig 5-M) and lift the cover (Fig 6-N).
- 2 - Remove the foam (Fig 7-O), biomedica (Fig 7-P) and stone bag.
- 3 - Turn the unit over and remove the 4 fixing screws (Fig 10-V) and lift the base clear.
- 4 - Remove the 2 fixing screws (Fig 10-W) and lift the Pump Assembly clear.
- 5 - Twist the Pump Chamber anticlockwise (Fig 10-X) and lift clear. The rotor can now be pulled out for cleaning or replacement (Fig 10-Y).

Important! Take extra care so as to not drop any of

the small components. See Fig 10A for assembly of the rotor.

- 6 - Reassemble the pump and 2 off fixing screws (Fig 10-W).
- 7 - Reroute the cable (Fig 10-Z).
- 8 - Reassemble the filter, and restart.

All Year Pump Care

A quick daily check should be carried out to ensure that the pump is performing satisfactorily.

Once a week- Remove the outer casing and Fountain Head in accordance with the general maintenance notes.

Depending on pond water conditions, cleaning may be required more frequently.

Once a year- Completely disassemble the unit including the Rotor Assembly as described in the general maintenance notes, and wash all components in clean, freshwater.

Replace worn or broken parts.

Winter Storage

When not in use, the unit should be removed, thoroughly washed and cleaned, dried and stored in a dry frost protected area. Always store the unit with the foam and foam cover off to ensure adequate ventilation and drying.

Contact/Spare Parts

For product advice and spares please contact Hozelock Cyprio Consumer Services on 0121 313 1122 or visit www.hozelock.com

Fish Stocking and Density

Under normal conditions, the EasyClear™ 3000 or 4500 will support up to 72cm of fish. Introduce fish slowly over the first few weeks, up to 20% of the maximum recommended level, increasing to 50% after six months. The balance will allow for fish growth.

Hozelock Cyprio Clearwater Guarantee

WE GUARANTEE YOU CLEAR WATER OR YOUR MONEY BACK.

NOTE: IN SOME CASES IT CAN TAKE UP TO 6-8 WEEKS FOR YOUR WATER TO BECOME CLEAR.

This guarantee runs for 12 months after purchase, provided that

- You have followed the installation and operating instructions.
- You are using equipment of the correct size and stocking level.
- You consult our Helpline (0121 313 1122) early enough for any problems to be put right.

- The product has been returned undamaged.

A refund can only be authorised by Hozelock Cyprio and is made only at the place of purchase to the value of the purchase price of the EasyClear™ only. A Proof of Purchase will be required. Please note that the Clearwater Guarantee does not cover loss of water clarity when blanketweed, as opposed to greenwater algae, is the cause.

3 Year Product Guarantee

If this unit, excluding the Rotor Assembly, Filter Foam & UV Lamp becomes unserviceable within 3 years of the date of purchase it will be repaired or replaced at our option free of charge, unless in our opinion it has been damaged or misused. Liability is not accepted for damage due to accident, improper installation or use.

Liability is limited to replacement of a faulty unit. This guarantee is not transferable. It does not affect your statutory rights.

To obtain the benefits of the guarantee, firstly contact Hozelock Cyprio Consumer Services who may request that the filter is sent along with proof of purchase directly to the address provided.

DAMAGE CAUSED BY RUNNING THE EasyClear™ OUT OF WATER OR BY FROST INVALIDATES THE GUARANTEE.

Fault Finding

Please read the safety sections of these instructions before carrying out any remedial action on the EasyClear™! It may also be necessary to refer to the maintenance section of these instructions.

LOW FLOW FROM PUMP

- a - The foams may be blocked and require cleaning
- b - Ensure the outer cage is clean.
- c - Clear any blockages and adjust the flow controls.
- d - Check white flap inside pump chamber moves freely.
- e - Ensure rotor is clean and moves freely.

POOR FOUNTAIN DISPLAY

- a - As above
- b - Clean the Fountain Head.

UV LAMP NOT WORKING

- a - Check power supply is on.
- b - Check fuse, RCD and wiring.
- c - Replace the lamp.
- d - The Overload Protection may have operated – see Overload Protection section.

PUMP NOT WORKING

- a - Check power supply is on.
- b - Check fuse, RCD and wiring.
- c - Check the rotor is not blocked.
- d - The Overload Protection may have operated – see Overload Protection section.
- e - Ensure the outer cage is clean.
- f – Check for water ingress in lamp area.

Technical Information

Part Number	1760	1762
Model	3000	4500
Volts	230V 50Hz	230V 50Hz
UVC Power (W)	5	7
Total Power (W)	25	28
Maximum Pond size without Fish	3000 ltr (660 gal)	4500ltr (990 gal)
Maximum Pond size with Fish	2000 ltr (440 gal)	3000 ltr (660 gal)
Max Flow, Qmax, (lph)	1260 lph (276 gph)	1260 lph (276 gph)
Max Head, Hmax, (m)	1m	1m
IP Rating	IPX8	IPX8
Max Water Temperature Tmax, (°C)	35°C	35°C

* Measured under controlled conditions



Hozelock Ltd.
Midpoint Park, Birmingham,
B76 1AB, England
Tel: +44 (0) 121 313 1122

www.hozelock.com
33902-000



Do not dispose of electrical appliances as unsorted municipal waste, use separate collection facilities. Contact your local government for information regarding the collection systems available. If electrical appliances are disposed of in landfills or dumps, hazardous substances can leak into the groundwater and get into the food chain, damaging your health and well-being. In the EU, when replacing old appliances with new ones, the retailer is legally obligated to take back your old appliance for disposal at least free of charge.