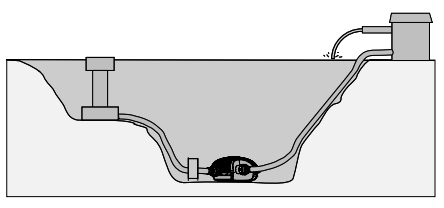
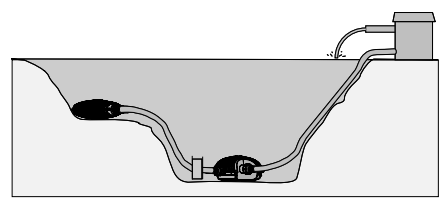
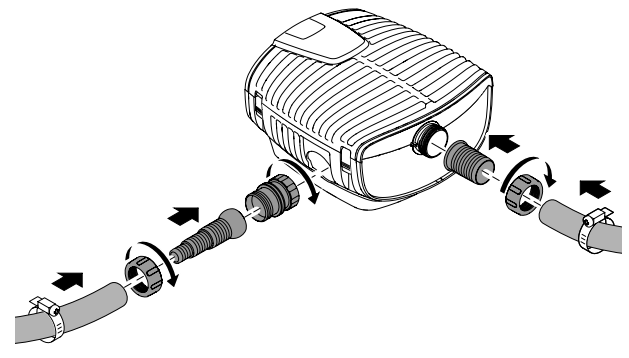
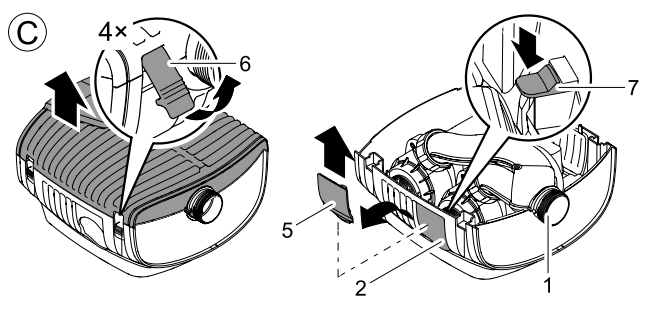
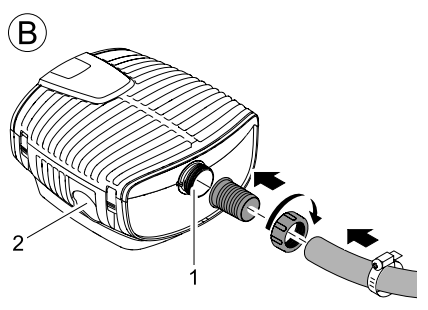
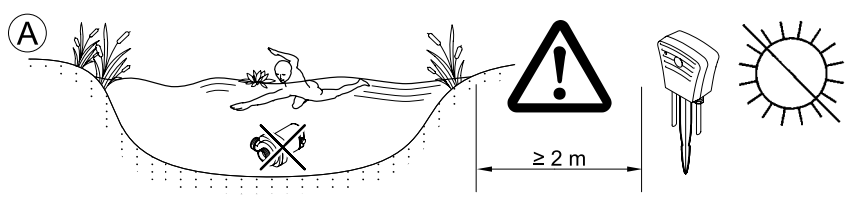


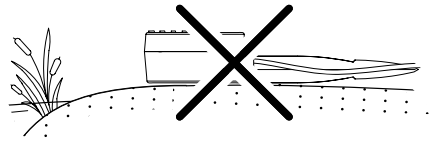
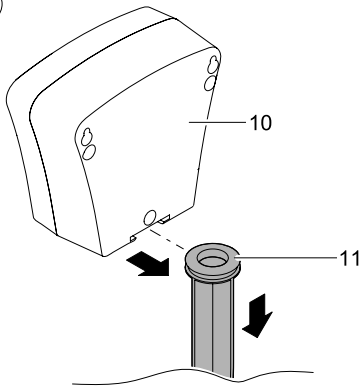
AquaMax Eco Twin 20000/30000

- DE **Gebrauchsanleitung**
- GB **Operating instructions**
- FR **Notice d'emploi**
- NL **Gebruiksaanwijzing**
- ES **Instrucciones de uso**
- PT **Instruções de uso**
- IT **Istruzioni d'uso**
- DK **Brugsanvisning**
- NO **Bruksanvisning**
- SE **Bruksanvisning**
- FI **Käyttöohje**
- HU **Használati útmutató**
- PL **Instrukcja użytkowania**
- CZ **Návod k použití**
- SK **Návod na použitie**
- SI **Navodila za uporabo**
- HR **Uputa o upotrebi**
- RO **Instrucțiuni de folosință**
- BG **Упътване за употреба**
- UA **Посібник з експлуатації**
- RU **Руководство по эксплуатации**
- CN **使用说明书**

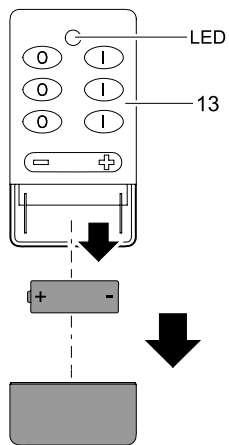
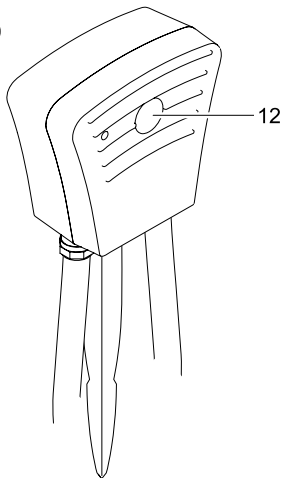




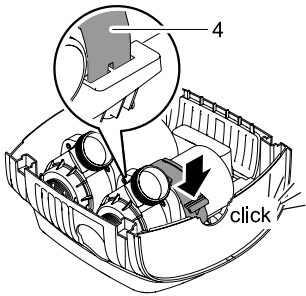
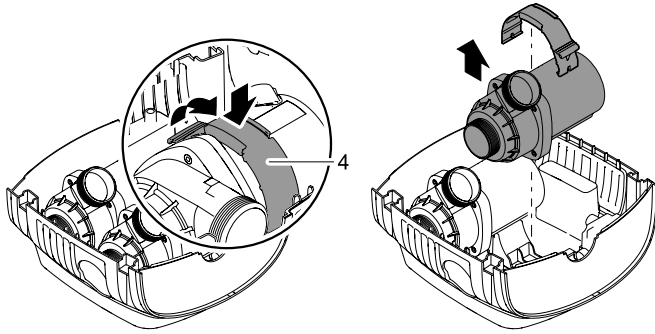
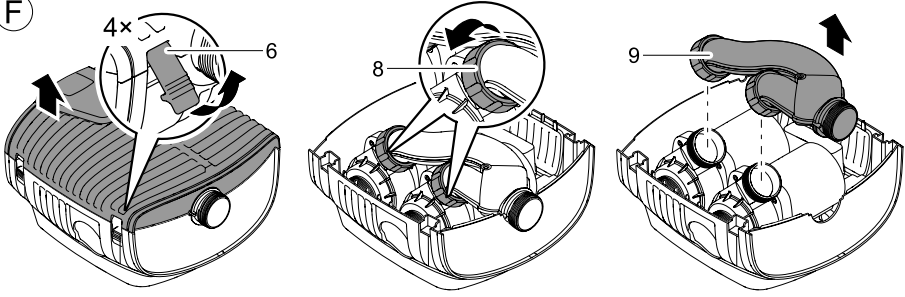
D



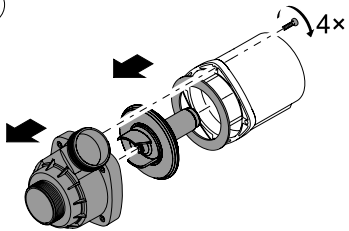
E



F



G



Translation of the original Operating Instructions

Information about these operating instructions

Welcome to OASE Living Water. You made a good choice with the purchase of this product **AquaMax Eco Twin 20000 / 30000**.

Prior to commissioning the unit, please read the instructions of use carefully and fully familiarise yourself with the unit. Ensure that all work on and with this unit is only carried out in accordance with these instructions.

Adhere to the safety information for the correct and safe use of the unit.

Keep these instructions in a safe place! Please also hand over the instructions when passing the unit on to a new owner.

Symbols used in these instructions

The symbols used in this operating manual have the following meanings:



Risk of injury to persons due to dangerous electrical voltage

This symbol indicates an imminent danger, which can lead to death or severe injuries if the appropriate measures are not taken.



Risk of personal injury caused by a general source of danger

This symbol indicates an imminent danger, which can lead to death or severe injuries if the appropriate measures are not taken.



Important information for trouble-free operation.

Scope of delivery

- 1 filter pump AquaMax Eco Twin
- 1 manual transmitter
- 1 receiver
- 1 ground stake
- Set of accessories

Intended use

AquaMax Eco Twin 20000 / 30000, in the following termed "unit", and all other parts from the delivery scope may be used exclusively as follows:

- For pumping normal pond water for filters, waterfalls and water courses.
- Operation under observance of the technical data.

The following restrictions apply to the unit:

- Do not use in swimming ponds.
- Never use the unit to convey fluids other than water.
- Never run the unit without water.
- Do not use for commercial or industrial purposes.
- Do not use in conjunction with chemicals, foodstuff, easily flammable or explosive substances.



Attention! Risk of damage!

Ensure that the unit does not take in air or run dry. Do not connect the unit to the domestic water lines.

Safety information

The company **OASE** has built this unit according to the state of the art and the valid safety regulations. Despite the above, hazards for persons and assets can emanate from this unit if it is used in an improper manner or not in accordance with its intended use, or if the safety instructions are ignored.

For safety reasons, children and young persons under 16 years of age as well as persons who cannot recognise possible danger or who are not familiar with these operating instructions, are not permitted to use the unit. Keep children under supervision to ensure that they do not play with the unit.

Hazards encountered by the combination of water and electricity

- The combination of water and electricity can lead to death or severe injury from electrocution, if the unit is incorrectly connected or misused.
- Prior to reaching into the water, always switch off the mains voltage to all units used in the water.

Correct electrical installation

- Electrical installations must meet the national regulations and may only be carried out by a qualified electrician.
- A person is regarded as a qualified electrician, if, due to his/her vocational education, knowledge and experience, he or she is capable of and authorised to judge and carry out the work commissioned to him/her. Working as a qualified person also includes the recognition of possible hazards and the adherence to the pertinent regional and national standards, rules and regulations.
- For your own safety, please consult a qualified electrician.
- The unit may only be connected when the electrical data of the unit and the power supply coincide. The unit data is to be found on the unit type plate or on the packaging, or in this manual.
- Ensure that the unit is fused for a rated fault current of max. 30 mA by means of a fault current protection device.
- Extension cables and power distributors (e.g. outlet strips) must be suitable for outdoor use.
- Ensure that the power connection cable cross section is not smaller than that of the rubber sheath with the identification H05RN-F. Extension cables must meet DIN VDE 0620.
- Protect the plug connections from moisture.
- Only plug the unit into a correctly fitted socket.

Safe operation

- Never operate the unit if either the electrical cables or the housing are defective!
- Do not carry or pull the unit by its electrical cable.
- Route all cables such that damage is excluded and nobody can trip over them.
- Never open the unit housing or its attendant components, unless this is explicitly required in the operating instructions.
- Only use original spare parts and accessories for the unit.
- Never carry out technical modifications to the unit.
- Only have repairs carried out by customer service points authorised by OASE.
- The power connection cables cannot be replaced. When the cable is damaged, the unit or the component needs to be disposed of.
- Only operate the unit if no persons are in the water!
- Keep the socket and power plug dry.

Important! The unit is equipped with a permanent magnet. The magnetic field may affect the function of pace-makers.

Installation

Only use the unit in its horizontal position and ensure stable installation on a firm ground. The unit must be positioned below the water surface level. Attach the receiver flood protected at least 2 m away from the edge of the pond. For this purpose, use the supplied ground stake or suspend the receiver by means of 2 screws. Do not open the receiver housing for this purpose. Ensure that the receiver is not exposed to direct sunlight. Fasten a traction rope to the strainer bottom casing through the round openings. This allows you to pull the pump out of the water, if necessary.

Installation

Connect the unit

Fig. (B, C)

Recommendation for the use of the stepped hose adapter and hose connector:

- Pump outlet (1): Hose connector 2 " (alternative: stepped hose adapter 1 to 1½ ")
- Second inlet (2): Stepped hose adapter 1 to 1½ "

Push the hose clip and the union nut over the hose. Fit the hose on the stepped hose adapter or hose connector and secure with the hose clip.

Fit the stepped hose adapter or hose connector on the pump outlet (1) or second inlet (2) and hand-tighten the union nut.

- GB -

Operate the unit with the pond filter.

Figure B

Connect the pump outlet (1) to the pond filter. Close the second inlet (2) with the cover (5) (delivery state).

Operate the unit with the satellite filter, or with the skimmer and pond filter.

Figure (C)

Connect the skimmer or satellite filter to the second inlet (2). For this purpose, remove the cover (5),

- Open the clips (6) and remove the strainer top casing.
- Press on the engagement hook (7) and take the cover out of the bottom strainer casing.
- Fit the supplied adapter.
- Put the filter top casing in place and close the clips (6).
- Connect the second inlet (2) to the satellite filter or skimmer. Connect the pump outlet (1) to the pond filter.

Install the receiver

Fig. (D)



Attention! Do not permanently expose the unit to humidity/moisture.

Possible consequence: Damage to the unit.

Protective measure: Place the unit at a place protected from moisture/humidity, use protective cover.

- Fully insert the ground stake (11) into the soil.
- Place the receiver (10) on the ground stake.
- Check its stability.

Start-up

Attention! The pump must never run dry.

Possible consequence: The pump will be destroyed.

Protective measure: Check the water level at regular intervals. Always place the unit below water level.



Attention! The installed temperature monitor automatically turns the pump off, if it is overloaded. The pump automatically switches on again once the motor has cooled down. **Risk of accident!**

This is how to connect the power supply:

Switching on: Connect power plug to the socket. The unit switches on immediately when the power connection is established.

Switching off: Disconnect the power plug.



Note:

A brand-new pump will only achieve its maximum capacity after several operating hours.

During start-up, the pump automatically undergoes a pre-programmed self-test of approx. two minutes (**Environmental Function Control (EFC)**). The pump runs through various speeds and detects whether it runs dry (is blocked) or is submerged. The pump switches off automatically after approx. 90 seconds if it runs dry (is blocked). The pump automatically makes new attempts to start up at regular intervals. In the event of a malfunction, disconnect the power supply and flood the pump or remove the obstacle. Following this, the unit can be restarted.

Manual transmitter (E 13)

Check the function of the manual transmitter by actuating one of its buttons. The control LED must light up. Up to 80 m reach, depending on the terrain. Replace the unit battery when the transmitting capacity fades (approx. after one year).

Teaching in the manual transmitter

Actuate the teach-in key (E 12) on the receiver for approx. 1 second. Then actuate top left transmitting key for at least 3 seconds. A maximum of 10 transmitters can be taught in according to this order.

Deleting the transmitter

When the teach-in key (E 12) on the receiver is actuated for at least 5 seconds, the transmitter is reset to its delivery status. Following this, the manual transmitter can be taught in.

Functions at the manual transmitter

Pump 1 off (0), Pump 1 on (I). Pump 2 off (0), Pump 2 on (I). Invoke memories 0 and I. Reassign memories 0 and I (factory setting: 0 = 25 % and 1 = 75 %). Activated pumps (+) = larger water quantity, (-) = smaller water quantity.

Battery change

Push the lid beneath the keys down and insert new batteries, type 23A. Ensure correct polarity.

Maintenance and cleaning



Attention! Dangerous electrical voltage.

Possible consequences: Death or severe injury.

Protective measures:

- Prior to reaching into the water, disconnect the power supply to all units used in the water.
- Disconnect the power plug prior to carrying out work on the unit.

Cleaning the unit

If necessary, clean the unit with clear water using a soft brush.

- Never use aggressive cleaning agents or chemical solutions. These could attack the housing surface or impair the function.
- In the event of stubborn furring (calcium deposits), a common household cleaner free from vinegar and chlorine can be used. Subsequently, clean the pump thoroughly using clear water.

Cleaning the pump

Remove pump from the bottom strainer casing:

Figure (F)

- Remove hoses from the unit. Open the clips (6) and remove the strainer top casing.
- Undo both union nuts (8) and remove the Y distributor (9).
- Release the clamps (4) and take pumps out of the bottom strainer casing.

Note for the assembly: For secure pump fastening, ensure that the clamps (4) engage.

Open the pump housing:

Figure (G)

- Remove screws and the pump housing.
 - Clean the pump housing, impeller and flat seal under clean water using a brush.
 - Check parts for damage and replace, if necessary.
- Reassemble in the reverse order.

- GB -

Malfunction

Malfunction	Cause	Remedy
Pump does not start	No mains voltage	Check mains voltage Clean/check supply lines Check running unit for ease of movement
Pump does not deliver	Filter housing clogged	Clean strainer casings Reduce hose length to the necessary minimum, do not use unnecessary connection parts Check running unit for ease of movement
Insufficient delivered quantity	Filter housing clogged Excessive loss in the supply lines	Clean strainer casings Reduce hose length to the necessary minimum, do not use unnecessary connection parts Check running unit for ease of movement
Pump switches off after a short running time	Excessively soiled water Water temperature too high	Clean pump Note maximum water temperature of +35°C
Manual transmitter reach fades	Batteries too weak	Replace batteries
Manual transmitter reach fluctuates	Interferences through other units Receiver positioned unfavourably	Switch off other units which could interfere (mobile phone, remote thermometer, remote baby-sitter, ...) Find a new position for the receiver housing. If necessary, increase the distance to the floor
Manual transmitter without function	Batteries discharged or incorrectly inserted Manual transmitter not taught-in Receiver was reset	Check functions Teach-in manual transmitter Teach-in hand-held transmitter again

Disposal



Do not dispose of this unit with domestic waste! For disposal purposes, please use the return system provided. Disable the unit beforehand by cutting off the cables.

Disposal of batteries

Do not dispose of batteries with the household waste. Only dispose of dead batteries by using the return system provided for this purpose.

Disposal of batteries within the European Union

As a user, you are obligated by law to return used batteries. Return is free of charge.

Either dispose of batteries through the public return and recycling systems of your municipality or community, or return the batteries to the place where they were bought.

Batteries containing harmful substances bear the following signs:

Pb = Battery contains lead

Cd = Battery contains cadmium

Hg = Battery contains mercury

Li = Battery contains lithium



Storage/Over-wintering

The unit is frost resistant to minus 20 °C. Should you store the unit outside of the pond, clean it thoroughly with a soft brush and water, check it for damage, then store immersed in water or filled with water. Do not immerse the power plug in water!

Repair

A damaged unit cannot be repaired and must be put out of operation. Dispose of the unit in accordance with the regulations.

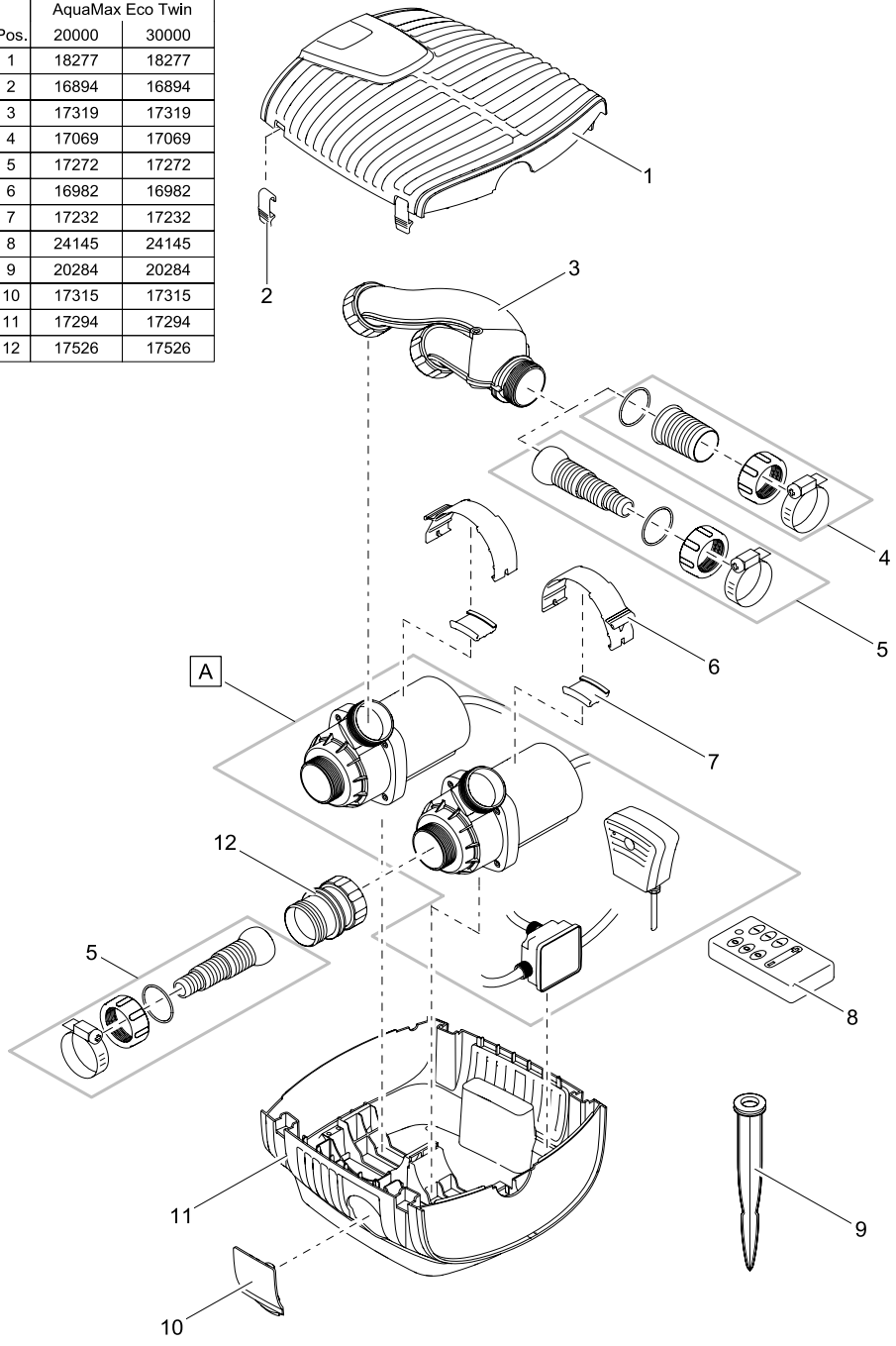
Wear parts

The impeller unit is a wearing part and does not fall under the warranty.

DE	Typ	Bemessungsspannung	Leistungsaufname	Förderleistung	Wassersäule	Tauchtiefe	Gewicht	Wassertemperatur
GB	Type	Rated voltage	Power consumption	Max. flow rate	Max. head height	Immersion depth	Weight	Water temperature
FR	Type	Tension de mesure	Puissance absorbée	Capacité de refoulement	Colonne d'eau	Profondeur d'immersion	Poids	Température de l'eau
NL	Type	Dimensioneringspanning	Vermogensopname	Pomp capaciteit	Waterkolom	Dompeldiepte	Gewicht	Watertemperatuur
ES	Tipo	Tensión asignada	Consumo de potencia	Capacidad de elevación	Columna de agua	Profundidad de inmersión	Peso	Temperatura del agua
PT	Tipo	Voltagem considerada	Potência absorvida	Débito	Coluna de água	Profundidade de imersão	Peso	Temperatura da água
IT	Tipo	Tensione di taratura	Potenza assorbita	Portata	Colonna d'acqua	Profondità d'immersione	Peso	Temperatura dell'acqua
DK	Type	Nominal spænding	Effektforbrug	Transportkapacitet	Vandsøjle	Bassinddybde	Vægt	Vandtemperaturen
NO	Type	Merkespenning	Effektforbruk	Kapasitet	Vannsoyle	Nedsenkningsdybde	Vekt	Vanntemperatur
SE	Type	övre märkspänning	Effekt	Mätning/prestanda	Vattenpelare	Doppningsdjup	Vikt	Vattentemperatur
FI	Tyyppi	mittojännite	Ottoteho	Syötöteho	Vesipylväs	Uputussyvyys	Paino	Veden lämpötila
HU	Típus	mért feszültség	Teljesítményfelvétel	Szállítási teljesítmény	Vízoszlop	Mérőlési mélység	Súly	Víz hőmérséklet
PL	Type	napięcie znamionowe	Pobór mocy	Wydajność pompowania	Stup wody	Głębokość zanurzenia	Ciężar	Temperatura wody
CZ	Type	domezovací napětí	Příkon	Dopravní výkon	Vodní sloupec	Hloubka ponoření	Hmotnost	Teplota vody
SK	Type	dimenzáčné napätie	Příkon	Dopravný výkon	Vodný stĺpec	Hĺbka ponorenia	Hmotnosť	Teplota vody
SI	Tip	dimenzionirana napelost	Poraba moči	Črpljena zmogljivost	Vodni stebel	Potopna globlina	Teža	Temperatura vode
HR	Tip	gornji nazivni napon	Potrošnja energije	Protočni kapacitet	Vodeni stup	Dubina uranjanja	Težina	Temperatura vode
RO	Tip	tensiunea măsurată	Putege consumată	Debit de pompare	Coloană de apă	Ardăcime de imersie	Greutate	Temperatura apei
BG	Тип	номинално напрежение	Потребявана мощност	Дебит	Воден стълб	дълбочина на потапяне	Тегло	Температура на водата
UA	Тип	розрахункова напруга	Споживання електроенергії	Продуктивність	Водяний стовп	Глибина занурення	Вага	Температура води
RU	Тип	расчётное напряжение	Потребление мощности	Проживодительность	Водяной столб	Глубина погружения	Вес	Температура воды
CN	型号	设计电压	功耗	输送能力	水柱	潜水深度	重量	水温
AquaMax	20,000	-220-240 V, 50/60 Hz	198 W	max. 20,000 l/h	max. 4.5 m	max. 4 m	11 kg	+4 ... +35 °C
Eco Twin	30,000		320 W	max. 30,000 l/h	max. 5.2 m			

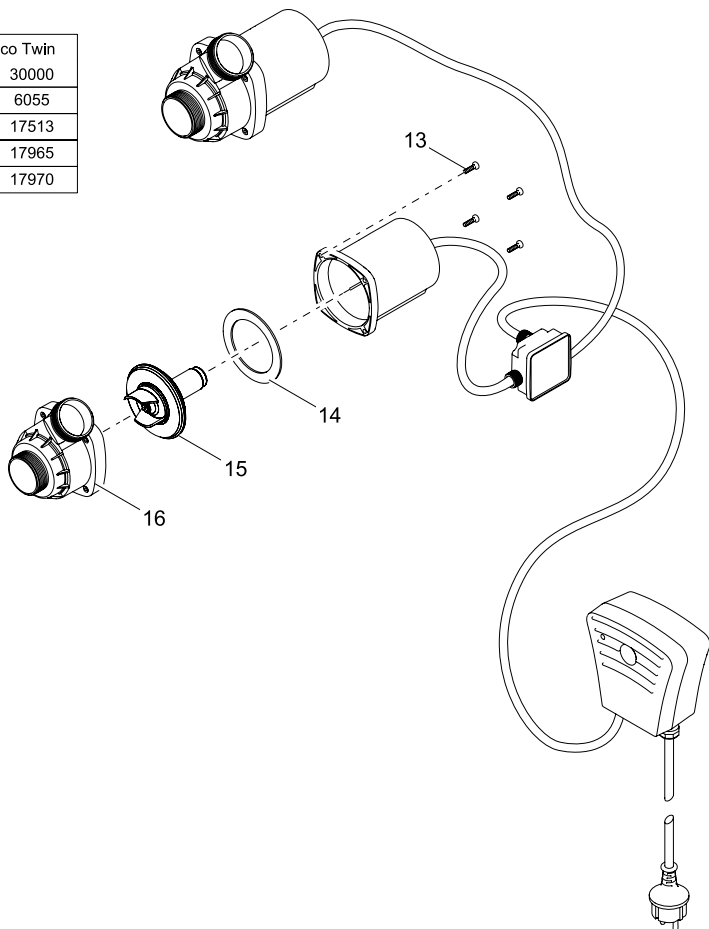
	IP 68  4 m				
DE	Staubdicht. Wasserdicht bis 4 m Tiefe.	Mögliche Gefahren für Personen mit Herzschrittmachern!	Vor direkter Sonneneinstrahlung schützen.	Nicht mit normalem Hausmüll entsorgen!	Achtung! Lesen Sie die Gebrauchsanleitung
GB	Dust tight. Submersible to 4 m depth.	Possible hazard for persons wearing pace makers!	Protect from direct sun radiation.	Do not dispose of together with household waste!	Attention! Read the operating instructions
FR	Imperméable aux poussières. Étanche à l'eau jusqu'à une profondeur de 4 m.	Dangers possibles pour des personnes ayant des stimulateurs cardiaques !	Protéger contre les rayons directs du soleil.	Ne pas recycler dans les ordures ménagères !	Attention ! Lire la notice d'emploi
NL	Stofdicht. Waterdicht tot een diepte van 4 m.	Mogelijke gevaren voor mensen met een pacemaker!	Beschermen tegen direct zonlicht.	Niet bij het normale huisvuil doen!	Let op! Lees de gebruiksaanwijzing
ES	A prueba de polvo. Impermeable al agua hasta 4 m de profundidad.	Posibles peligros para las personas con marcapasos.	Protéjase contra la radiación directa del sol.	¡No deseché el equipo en la basura doméstica!	¡Atención! Lea las instrucciones de uso
PT	À prova de pó. À prova de água até 4 m de profundidade.	Eventuais perigos para pessoas com pacemakers!	Proteger contra radiação solar directa.	Não deitar ao lixo doméstico!	Atenção! Leia as instruções de utilização
IT	A tenuta di polvere. Impermeabile all'acqua fino a 4 m di profondità.	Possibili pericoli per persone con pace-maker!	Proteggere contro i raggi solari diretti.	Non smaltire con normali rifiuti domestici!	Attenzione! Leggete le istruzioni d'uso!
DK	Støvtæt. Vandtæt ned til 4 m dybde.	Mulig fare for personer med pacemaker	Beskyt mod direkte sollys.	Må ikke bortskaffes med det almindelige husholdningsaffald.	OBS! Læs brugsanvisningen
NO	Støvtett. Vannrett ned til 4 m dyp.	Kan være farlig for personer med pacemaker!	Beskytt mot direkte sollys.	Ikke kast i alminnelig husholdningsavfall!	NB! Les bruksanvisningen
SE	Dammtät. Vattentät till 4 m djup.	Möjlig risk för personer med pacemaker!	Skydda mot direkt solstrålning.	Får inte kastas i hushållssoporna!	Varning! Läs igenom bruksanvisningen
FI	Pölytiivis. Vesitiivis 4 m syvyyteen asti	Mahdollinen vaara sydämentahdistinta käyttävälle henkilölle!	Suojattava suoralta auringonvalolta.	Älä hävätä laitetta tavallisen talousjätteen kanssa!	Huomio! Lue käyttöohje
HU	Portómitett. Vízálló 4 m-es mélységig.	A készülék veszélyes lehet szívritmus-szabályozóval rendelkező személyekre!	Óvja közvetlen napsugárzástól.	A készüléket nem a normál háztartási szeméttel együtt kell megsemmisíteni!	Figyelem! Olvassa el a használati útmutatót
PL	Pyłoszczelny. Wodoszczelny do 4 m głębokości.	Możliwość wystąpienia zagrożenia dla osób ze stymulatorami	Chronić przed bezpośrednim nasłonecznieniem.	Nie wyrzucać wraz ze śmieciami domowymi!	Uwaga! Przeczytać instrukcję użytkowania!
CZ	Prachotěsný. Vodotěsný do hloubky 4 m.	Možná nebezpečí pro osoby s kardiostimulátory!	Chránit před přímým slunečním zářením.	Nelikvidovat v normálním komunálním odpadu!	Pozor! Přečtěte Návod k použití!
SK	Prachotěsný. Vodotěsný do hlčky 4 m.	Možné nebezpečenstvo pre osoby s kardiostimulátormi!	Chránit' pred priamym slnečným žiarením.	Nelikvidovat v normálnom komunálnom odpade!	Pozor! Přečítajte si Návod na použitie
SI	Ne prepušča prahu. Ne prepušča vode do globinen 4 m.	Obstaja nevarnost za ljudi s srčnim spodbujevalnikom!	Zaščitite pred neposrednimi sončnimi žarki.	Ne zavržite skupaj z gospodinjiskimi odpadki!	Pozor! Preberite navodila za uporabo!
HR	Ne propušta prašinu. Ne propušta vodu do 4 m dubine.	Moguće opasnosti za nositelje elektrostimulatora!	Zaštitite od izravno sunčevog zračenja.	Nemojte ga bacati u običan kućni otpad!	Pažnja! Pročitajte upute za upotrebu!
RO	Etanș la praf. Etanș la apă, până la o adâncime de 4 m.	Posibile pericole pentru persoane cu by-pass cardiac !	Protejați împotriva razelor directe ale soarelui.	Nu aruncați în gunoaiul menajer !	Atenție ! Citiți instrucțiunile de utilizare !
BG	Защитено от прах. Водостойчив до дълбочина 4 м.	Възможен риск за хора с пейс-мейкър!	Да се пази от слънчевите лъчи.	Не изхвърляйте заедно с обикновения домашкински боклук!	Внимание! Прочетете упътването
UA	Пилонепроникний. Водонепроникний до 4 м.	Небезпека для осіб з кардіостимулятором	Пристрій повинен бути захищений від прямого сонячного випромінювання.	Не викидайте разом із побутовим сміттям!	Увага! Читайте інструкцію.
RU	Пыленепрониц. Водонепрониц. на глубине до 4 м.	Возможная опасность для лиц с кардиостимулятором!	Защищать от прямого воздействия солнечных лучей.	Не утилизировать вместе с домашним мусором!	Внимание! Прочитайте инструкцию по использованию
CN	防尘。至 4 米深防水。	可能对带有心脏起搏器人员有危险!	防止阳光直射。	不要与普通的家庭垃圾一起丢弃!	注意! 请阅读使用说明书。

AquaMax Eco Twin		
Pos.	20000	30000
1	18277	18277
2	16894	16894
3	17319	17319
4	17069	17069
5	17272	17272
6	16982	16982
7	17232	17232
8	24145	24145
9	20284	20284
10	17315	17315
11	17294	17294
12	17526	17526



A

Pos.	AquaMax Eco Twin	
13	6055	6055
14	17513	17513
15	17965	17965
16	17969	17970





OASE GmbH · www.oase-livingwater.com

Tecklenburger Straße 161 · 48477 Hörstel · Postfach 20 69 · 48469 Hörstel · Germany



17589/11G