

# Oase



## Aquarius Universal Classic

3000 Operating instructions

Original manual.

EN

 **WARNING**

- ▶ Disconnect all electrical devices in the water from the power supply before reaching into the water. Otherwise there is a risk of severe injuries or death by electrocution.
  - ▶ This unit can be used by children aged 8 and above and by persons with reduced physical, sensory or mental capabilities or lack of experience and knowledge if they are supervised or have been instructed on how to use the unit in a safe way and they understand the hazards involved. Do not allow children to play with the unit. Only allow children to carry out cleaning and user maintenance under supervision.
-

## Safety information

### Electrical connection

- Special regulations apply for electrical installation in outdoor spaces. Only a qualified electrician may perform the electrical installation.
  - The qualified electrician has the necessary professional training, knowledge and experience to perform electrical installation in outdoor spaces. The electrician can detect potential dangers and knows how to adhere to regional and national standards, regulations and directives.
  - For your own safety, please consult a qualified electrician.
- Only connect the unit if the electrical data of the unit and the power supply match.
- Only plug the unit into a correctly installed outlet. Ensure that the unit is fused for a rated fault current of max. 30 mA by means of a fault current protection device.
- Extension cables and power distributors (e.g. outlet strips) must be suitable for outdoor use (splash-proof).
- Protect open plugs and sockets from moisture.

### Safe operation

- Do not use the unit, if electrical lines or the housing are damaged.
- Dispose of the unit if its power connection cable is damaged. The power connection cable cannot be replaced.
- The impeller unit in the pump contains a magnet with a strong magnetic field that may affect the operation of pacemakers or implantable cardioverter defibrillators (ICDs). Keep a distance of at least 0.2 m between the implant and the magnet.
- Do not carry or pull the unit by its power cable.
- Route lines in such a way that they are protected from damage and do not present a tripping hazard.
- Never carry out technical changes to the unit.
- Only carry out work on the unit that is described in this manual.
- Only use original spare parts and accessories.
- Should problems occur, please contact the authorised customer service or OASE.

## Intended use

Only use the product described in this manual as follows:

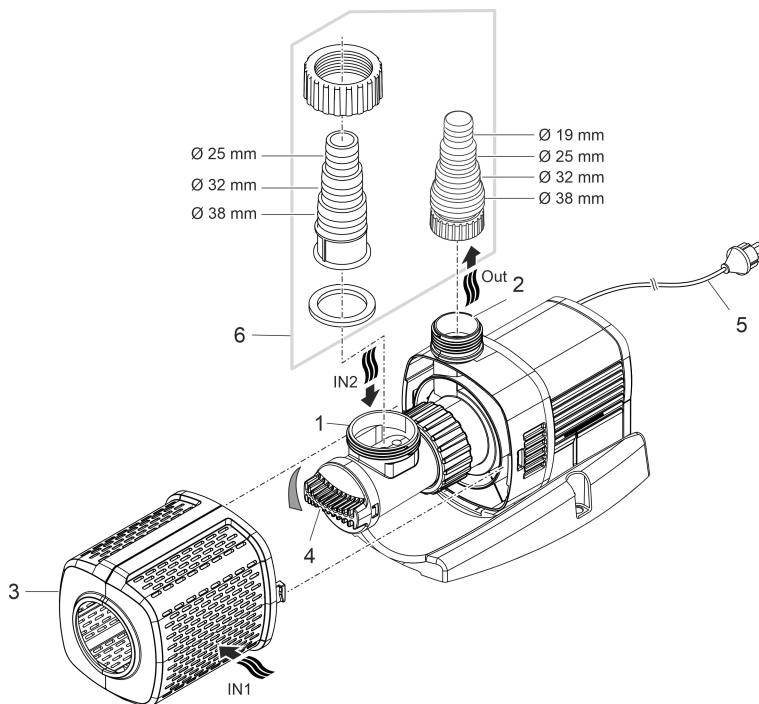
- For pumping water, e.g. for water features.
- Indoors and outdoors.
- While adhering to the technical specifications. (→ Technical data)
- Adherence to the permissible water quality. (→ Permissible water quality)

The following restrictions apply to the unit:

- Do not use in swimming ponds.
- Never use the unit with fluids other than water.
- Never run the unit without water.
- Do not use in conjunction with chemicals, foodstuff, easily flammable or explosive substances.
- Do not connect to the domestic water supply.
- Do not use for commercial or industrial purposes.
- According to EMC (Electromagnetic Compatibility), this is a class A unit. The unit may cause malfunctions in living environments. It is the user's responsibility to take suitable counter-measures.

# Product Description

## Overview



ARS0083

- |   |  |
|---|--|
| 1 | Inlet (suction side)   |
|   | <ul style="list-style-type: none"> <li>• With filter cage (3) for submerged installation.</li> <li>• With hose sleeve for connecting a hose for dry installation.</li> </ul> |
| 2 | Outlet (pressure side)   |
|   | <ul style="list-style-type: none"> <li>• Connection of the return line (e.g. to a fountain)</li> </ul>   |
| 3 | Filter cage  |
| 4 | Flow rate controller   |
| 5 | Power cable  |
|   | <ul style="list-style-type: none"> <li>• Pump power supply</li> </ul>  |
| 6 | Stepped hose adapter   |

## Symbols on the unit

# IP68



The unit is dust-tight and water-tight down to 4 m.



Possible danger for persons with pacemakers.



Protect the unit from direct sunlight.



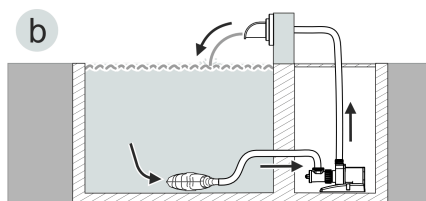
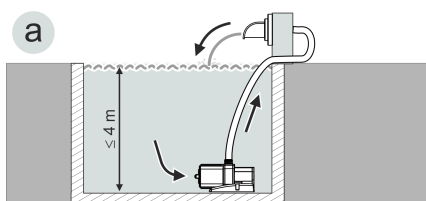
Do not dispose of the unit with normal household waste.



Read the operating instructions.

EN

## Installation variants



ARS0084

- Variant (a): Submerged pump installation
  - The pump is positioned in the pond or basin.
  - Water flow via the filter cage.
- Variant (b): Dry pump installation
  - The pump is installed without the filter cage outside of the pond or basin but lower than the water level.
  - Water flow via a satellite filter or skimmer.

## Installation and connection

The pump can be installed submerged (in water) or dry (outside the water).

The use of the pump is only permitted with observance of the specified water quality.

(→ Permissible water quality)

### WARNING

Severe injuries or death due to operation of this unit in a swimming pond. Defective electrical components will electrify the water with dangerous electrical voltage.

- ▶ Never operate the unit in a swimming pond.

### CAUTION

Rotating components in the intake and pressure socket area. Risk of injury when reaching into the sockets.

**In particular, observe the following:** A unit that has stopped due to overload can start up unexpectedly!

- ▶ Do not reach into the opening of the intake socket or pressure socket while the power plug is plugged in.
- ▶ If the sockets are freely accessible during operation, e.g. if no hoses are connected, use a hand guard to secure the sockets. The hand guard is available as an accessory.

### NOTE

If the pump is used for conveying excessively soiled water, the impeller unit will be subject to increased wear and will require earlier replacement.

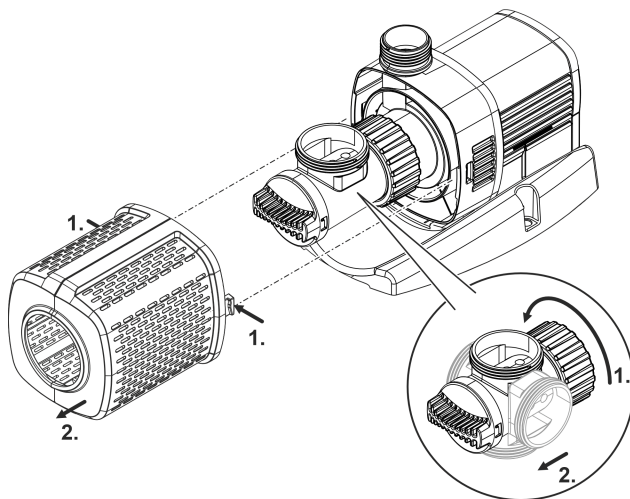
- ▶ Thoroughly clean the pond or pool before installing the pump.
- ▶ Install the pump at a raised level above the bottom. This reduces intake of muddy water.

- ① Avoid direct sunlight on unit components that are not submerged, as they may overheat. If necessary, use a protective cover.

## Turning the pump inlet

The pump inlet can be moved to the required orientation.

Orientation	Use
Top or side (right, left)	<ul style="list-style-type: none"> <li>• Recommended for dry installation.</li> <li>• When used with submerged installation, ensure that the water level is sufficient.</li> </ul>
Bottom	<ul style="list-style-type: none"> <li>• Recommended for submerged installation.</li> <li>• Pumps water even when the water level is low.</li> </ul>

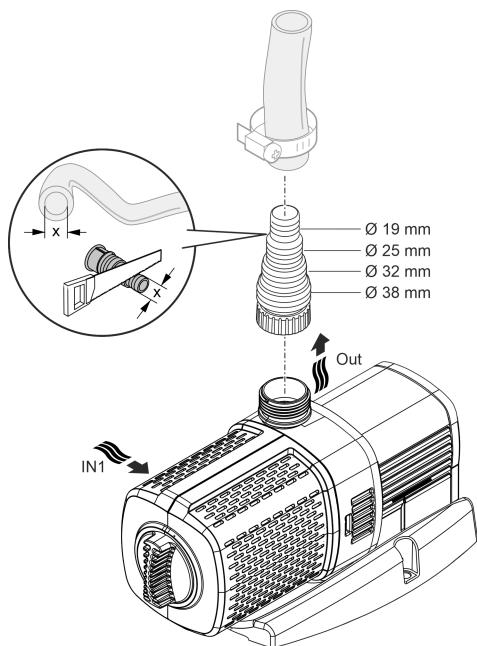


ARS0090



## Submerged installation of the pump

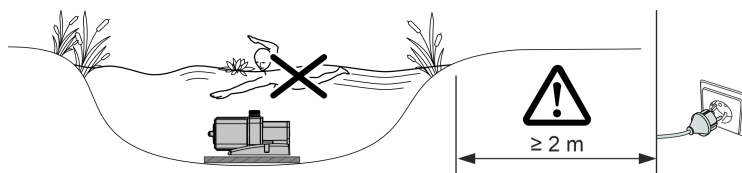
### Connecting



ARS0085

**Do not plug the power plug into the socket yet!**

### Installation



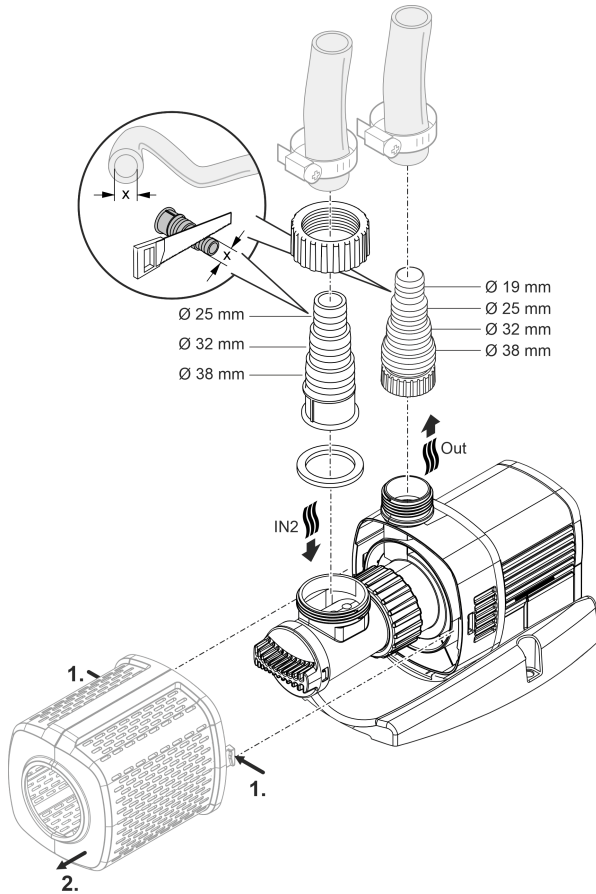
ARS0086

- Place the pump horizontally on a stable, mud-free surface.
- Ensure secure and stable positioning of the pump.
- Only operate the pump when it is fully submerged.

## Install the unit at a dry place

### Connecting

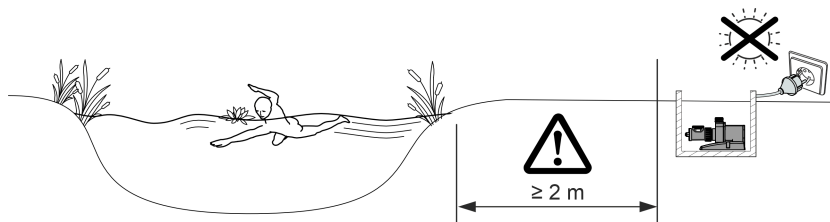
EN



ARS0087

**Do not plug the power plug into the socket yet!**

## Installation



ARS0088

- Place the pump horizontally on a stable, mud-free surface.
  - Ensure secure and stable positioning of the pump.
- ⓘ It is possible to screw the unit to a suitable surface to ensure stability.

## Commissioning/start-up

### NOTE

Never connect the pump to a dimmer. Otherwise the pump will be destroyed.

### NOTE

Prevent the pump from running dry. Otherwise the pump will be destroyed.

► Only operate the pump when it is submerged or flooded.

## Switching ON/OFF

- **Switching on:** Plug the power plug into the outlet.
  - The unit switches on immediately.
  - Use the controller to set the flow rate to the desired value.
- **Switching off:** Pull the power plug from the outlet.

## Maintenance and cleaning

### ⚠ CAUTION

Risk of injury due to unexpected start-up. Internal monitoring functions may switch off the unit and automatically reactivate it.

► Disconnect the power plug before carrying out any work on the unit.

### NOTE

Do not use aggressive cleaning agents or chemical solutions. These agents can damage the housing, impair the function of the device and harm animals, plants and the environment.

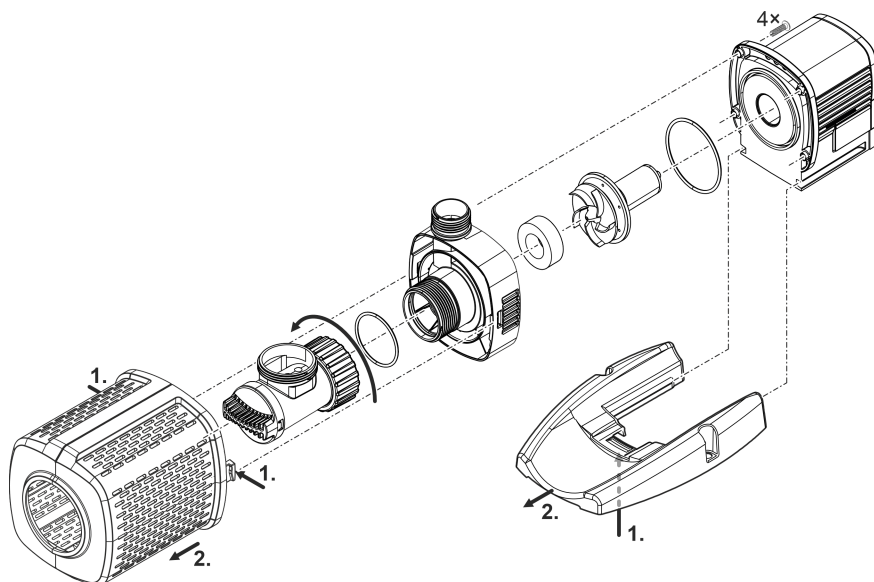
► If possible, clean the unit with clear water and a soft brush or a sponge; remove stubborn dirt with the aid of the recommended cleaning agents.

## Cleaning the device

- ① Clean the unit as required but at least twice per year.
- Recommended cleaning agent for removing stubborn limescale deposits:
  - Pump cleaning agent PumpClean from OASE.
  - Vinegar- and chlorine-free household cleaning agent.
- After cleaning, thoroughly rinse all parts in clean water.

## Cleaning/replacing the impeller unit

- Dismantle the pump as shown in the figure.
- Use a brush under clear water to clean the components.
- Check all components for damage. Replace damaged or worn components.
- Assemble the pump in reverse order.



ARS0089

## Storage/winter protection

Shut down the unit at water temperatures below +4 °C or at the latest when freezing temperatures are expected.

## Malfunction remedy

Malfunction	Cause	Remedy
Pump does not start	No mains voltage	Check the mains voltage.
	Supply lines kinked	Route the supply lines without kinks
	Supply lines blocked.	Check/clean the supply lines
	Impeller unit is blocked	Remove blockage, check impeller unit for ease of movement
Pump does not transport fluid Insufficient flow rate	Flow rate is set too low on the controller	Increase flow rate on the controller
	Filter housing clogged	Clean strainer casings
	Excessive loss in the supply lines	Reduce hose length to the necessary minimum, remove unnecessary connection parts
	Impeller unit is running sluggishly	Check impeller unit for ease of movement
Pump switches off after operating briefly	Water heavily soiled	Clean pump
	Impeller unit is blocked	Remove blockage, check impeller unit for ease of movement
	Pump has run dry	Check/clean the supply lines
	Water temperature too high	Adhere to the maximum permissible water temperature. (→ Technical data)

## Technical data

<b>Aquarius Universal Classic</b>		<b>3000</b>	
Connection voltage	V AC	220 ... 240	
Mains frequency	Hz	50	
Max. power consumption	W	40	
Max. pump capacity	l/h	3000	
Max. pump head	m	3.2	
Protection type		IP68	
Max. immersion depth	m	4	
Inlet port	Thread		G1½
	Connection, hose	mm	25, 32, 38
Outlet port	Thread		G1
	Connection, hose	mm	19, 25, 32, 38
Filter supply surface area	cm <sup>2</sup>	200	
Water temperature (submerged installation)	During operation	°C	+4 ... +35
	Out of operation	°C	-20 ... +35
Ambient temperature (dry installation)	During operation and convection	°C	-20 ... +30
	During operation and forced cooling	°C	-20 ... +40
Dimensions	Length	mm	245
	Width	mm	130
	Height	mm	135
Connection cable length	m	10	
Weight	kg	3.0	

## Permissible water quality

<b>Type</b>	<b>Fresh water</b>	
pH value		6.8 ... 8.5
Hardness	DH	8 ... 15
Free chlorine	mg/l	<0.3
Chloride content	mg/l	<250
Salt content	%	<0.4
Overall dry residue	mg/l	<50
Temperature	°C	+4 ... +35

## Wear parts

- Impeller unit

EN

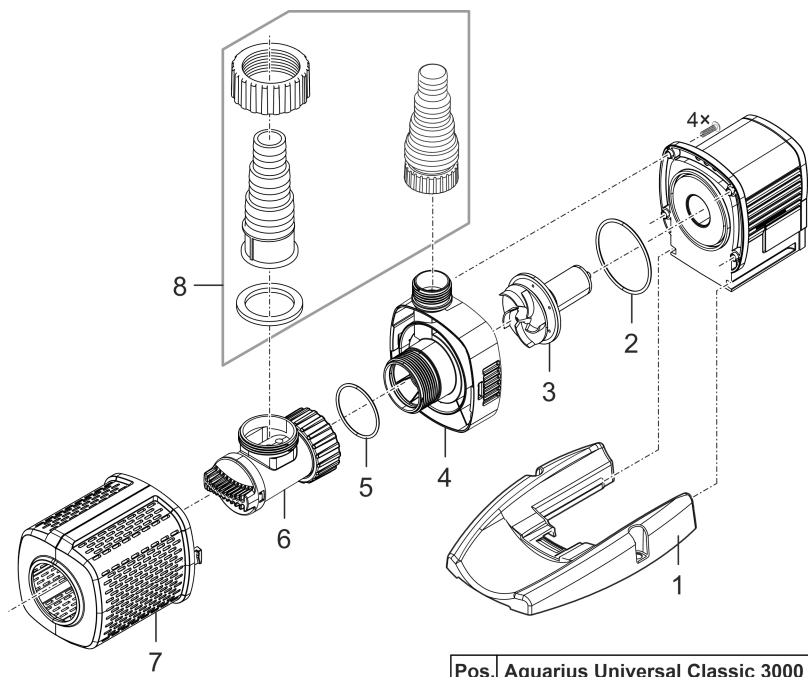
## Disposal

### NOTE

Do not dispose of this unit with household waste.

- ▶ Dispose of the unit by using the return system provided for this purpose.
  - ▶ Should you have questions, please contact your local disposal company. They will give you information on how to correctly dispose of the unit.
  - ▶ Render the unit unusable by cutting the cables.
-





Pos.	Aquarius Universal Classic 3000
1	35752
2	25969
3	91807
4	91808
5	19491
6	26405
7	91809
8	35179

AR50091

**OASE GmbH**

Tecklenburger Straße 161  
48477 Hörstel | Germany

📞 +49 (0) 5454 80-0

📠 +49 (0) 5454 80-9353

✉️ [info@oase.com](mailto:info@oase.com)

