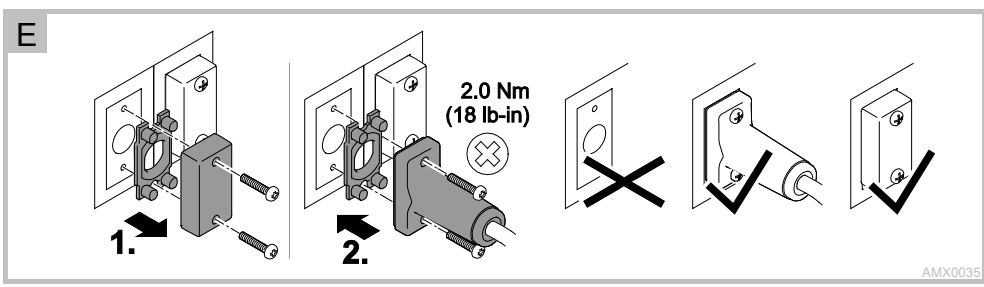
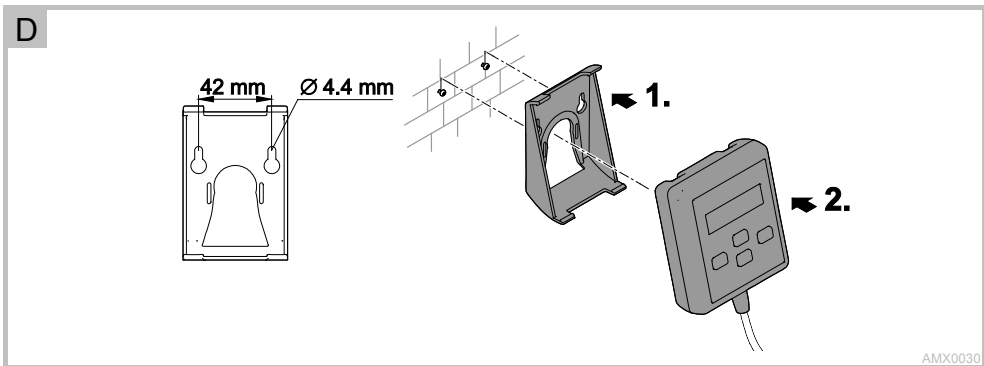
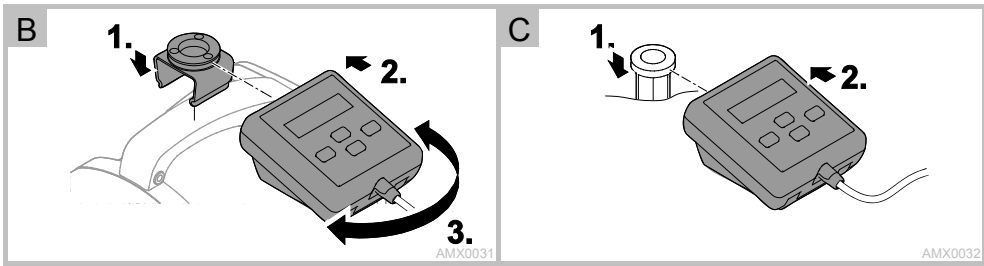
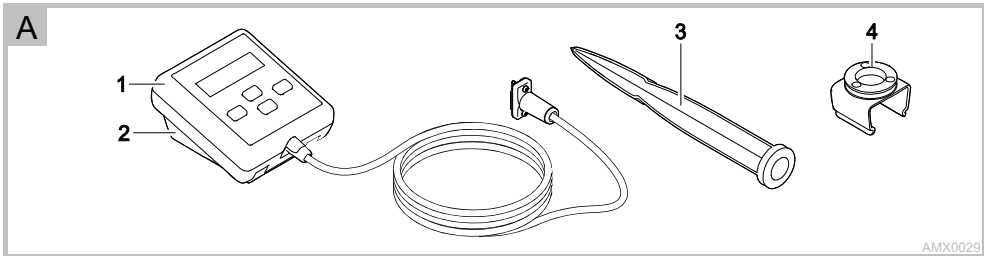




ECO CONTROL

EN Operating instructions





Fehlermeldungen

Nach Beseitigung einer Störung erlischt die Fehlermeldung automatisch.

Fehlermeldung	Ursache	Abhilfe
<i>WARNING</i> <i>NO WATER</i>	Pumpe ist trocken gelaufen (Trockenlaufschutz hat ausgelöst).	<ul style="list-style-type: none"> - Pumpe fluten. - Bei Betrieb im Teich Pumpe vollständig untertauchen. - Zuleitung entlüften. - Verstopfung in Zuleitung entfernen.
	Filtergehäuse verstopft (Trockenlaufschutz hat ausgelöst).	Pumpe reinigen
<i>WARNING</i> <i>MOTOR BLOCKED</i>	Laufeinheit ist blockiert (Trockenlaufschutz hat ausgelöst).	Netzstecker ziehen und Hindernis entfernen. Anschließend Pumpe wieder einschalten.
<i>WARNING</i> <i>HIGH TEMPERATURE</i>	Umgebungstemperatur bei Trockenaufstellung zu hoch.	<ul style="list-style-type: none"> - Direkte Sonneneinstrahlung vermeiden. - Maximale Wassertemperatur von +35 °C einhalten.
	Wassertemperatur zu hoch.	Maximale Wassertemperatur von +35 °C einhalten.
<i>WARNING</i> <i>HIGH POWER</i>	Stromaufnahme zu hoch <ul style="list-style-type: none"> - Laufeinheit schwergängig - Starke Wasserverschmutzung 	Pumpe reinigen.

Lagern/Überwintern

Das Gerät ist frostsicher bis -20 °C. Bei niedrigeren Temperaturen muss das Gerät deinstalliert und eingelagert werden.

So lagern Sie das Gerät richtig:

- EGC-Stecker vor Feuchtigkeit und Verschmutzung schützen.

Verschleißteile

Folgende Komponenten sind Verschleißteile und unterliegen nicht der Gewährleistung:

- Dichtung EGC-Stecker

Entsorgung



HINWEIS

Dieses Gerät darf nicht als Hausmüll entsorgt werden.

- Gerät durch Abschneiden der Kabel unbrauchbar machen und über das dafür vorgesehene Rücknahmesystem entsorgen.

Ersatzteile

Mit Originalteilen von OASE bleibt das Gerät sicher und arbeitet weiterhin zuverlässig.

Ersatzteilzeichnungen und Ersatzteile finden Sie auf unserer Internetseite.



www.oase-livingwater.com/ersatzteile

Translation of the original Operating Instructions

WARNING

- This unit can be used by children aged 8 and above and by persons with reduced physical, sensory or mental capabilities or lack of experience and knowledge if they are supervised or have been instructed on how to use the unit in a safe way and they understand the hazards involved.
- Do not allow children to play with the unit.
- Only allow children to carry out cleaning and user maintenance under supervision.
- Possible death or severe injury from electrocution! Before reaching into the water, always disconnect all units in the water that have a voltage of >12 V AC or >30 V DC from the power supply.

Safety information

Electrical connection

- Electrical installations must meet the national regulations and may only be carried out by a qualified electrician.
- A person is regarded as a qualified electrician if, due to his/her vocational education, knowledge and experience, he or she is capable of and authorised to judge and carry out the work commissioned to him/her. This also includes the recognition of possible hazards and the adherence to the pertinent regional and national standards, rules and regulations.
- For your own safety, please consult a qualified electrician.
- The device may only be connected if the electrical data of the device and the power supply coincide. The device data is to be found on the device type plate, on the packaging or in this manual.

Safe operation

- Never operate the unit if an electrical cable is defective!
- Never operate the unit if the housing is defective!
- Never carry or pull the unit by the electrical cable.
- Route cables such that they are protected from damage and do not present a tripping hazard.
- Only open the unit housing or its attendant components if this is explicitly specified in the operating instructions.
- Only carry out work on the unit that is described in this manual. If problems cannot be overcome, please contact an authorised customer service point or, if in doubt, the manufacturer.
- Never carry out technical changes to the unit.
- Only use original spare parts and accessories for the unit.

Information about these operating instructions

Welcome to OASE Living Water. You made a good choice with the purchase of this product **Eco Control**.

Prior to commissioning the unit, please read the instructions of use carefully and fully familiarise yourself with the unit.

Ensure that all work on and with this unit is only carried out in accordance with these instructions.

Adhere to the safety information for the correct and safe use of the unit.

Keep these instructions in a safe place! Please also hand over the instructions when passing the unit on to a new owner.

Symbols used in these instructions

The warning information is categorised by signal words, which indicate the extent of the hazard.



WARNING

- Indicates a possibly hazardous situation.
- Non-observance may lead to death or serious injuries.



NOTE

Information for the purpose of clarification or for preventing possible damage to assets or to the environment.

Scope of delivery

<input type="checkbox"/> A	Description
1	AquaMax Eco Control
2	Retaining frame for fastening the device to the wall, or for fitting it to the ground stake or holding clip
3	Ground stake
4	Holding clip for fastening the device to the pump handle

Product Description

Eco Control can be used to control EGC-capable OASE pumps.

Features:

- Connection to the EGC socket of the pump.
- Illuminated display.
- Does not require a separate power supply.
- Control of the pump capacity, switching the Seasonal Function Control (SFC) and Dynamic Function Control (DFC) on or off, selection of programmes.
- Allows display of the pump status and malfunctions.

Intended use

Eco Control, referred to as "unit", may only be used as specified in the following:

- Connection to OASE pumps with EGC connection, that are suitable for control via this device.
- Operation under observance of the technical data.

Installation and connection

Fastening the device to the pump

How to proceed:

B

1. Fit the holding clip onto the pump handle.
2. Slide the device onto the holding clip.
3. Align the device.

Installing the device with the ground stake

How to proceed:

C

1. Fully insert the ground stake into the ground.
2. Slide the device onto the ground stake.
3. Check its stability.

Fastening the device to the wall

How to proceed:

D

1. Remove the retaining frame and fasten it to the wall using suitable screws.
2. Fit the device into the retaining frame.
 - Ensure that the device is properly engaged in the retaining frame.

Connect the unit

How to proceed:

E

1. Remove the protection cap from the unit.
2. Fit the plug connector and secure with the two screws (max. 2.0 Nm).
 - Ensure that the rubber seal is clean and fits exactly.
 - Replace the rubber seal if damaged.
 - Only connect the plug to the left-hand EGC socket.



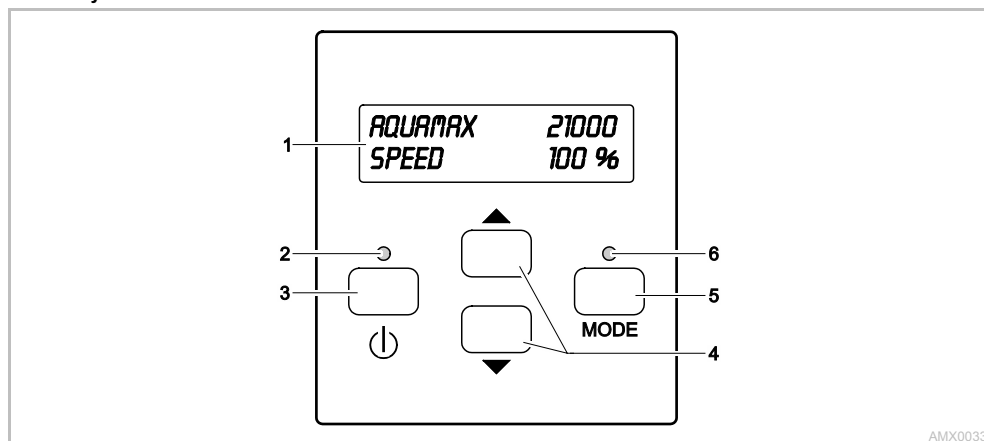
NOTE

The device will be destroyed if water penetrates the EGC sockets.

- Close the EGC sockets with EGC plugs or a protection cap.

Operation

Control system overview



AMX0033

Description

- 1 Two-line display with backlighting
- 2 LED ON/OFF
- 3 ON/OFF button
- 4 Arrow keys
- 5 Mode button
- 6 LED MODE

Function

- Indicates whether the pump is switched on or off.
- For switching the pump on or off.
- For changing values in the menus or selecting other lines in the menu.
- For selecting the next menu in the display.
The selection is continuous. It continues from the last menu to the first menu.
- Indicates the pump status.

Status displays

The LEDs signal the following statuses:

LED	Status	Description
LED ON/OFF	Green	The pump is switched on.
	Off	The pump is switched off.
LED MODE	Green	Seasonal Function Control (SFC) and/or Dynamic Function Control (DFC) is activated
	Red flashing	Malfunction (→ Error messages)
	Off	SFC and/or DFC is deactivated

Menu: AquaMax Eco Expert / AquaMax Eco Titanium pump

When the AquaMax Eco Expert pump is connected, the following menus and setting possibilities are available.



AQUAMAX 21000
PUMP OFF

Description

- Connected pump (e.g. AquaMax Eco Expert 21000)
- The pump is switched off.

Setting

- Switch on the pump via the ON/OFF button.



AQUAMAX 21000
SPEED 100 %
AQUAMAX 21000
SFC MODE MAX

- Connected pump (e.g. AquaMax Eco Expert 21000)
 - The pump is switched on.
- Operating modes
- **SPEED**: The speed is shown as a percentage (SFC is deactivated).
 - **SFC MODE**: SFC is activated (it is not possible to adjust the speed).
 - SFC mode (MIN, MID, MAX)

Adjustment (only for **SPEED**)

- Change the speed using the arrow keys.
- 0 %: Min. speed, 100 %: Max. speed

SFC ON
SFC MODE MID

Only display

- **SFC** (Seasonal Flow Control)
 - ON: Activated
 - OFF: Deactivated
- **SFC-MODE** (MIN, MID, MAX)
 - SFC deactivated: No display
- Select the next display using the arrow keys.

POWER 250 W
RPM 2300 /MIN

Only display

- Current power consumption of the pump in watts
 - Display precision: $\pm 5\%$ of the max. pump capacity
- Current speed of the pump in rpm
- Select next/previous display using the arrow keys.

RUNTIME 45 H
SN 1234567890

Only display

- Total pump operating time in hours
- Pump serial number

SET SFC → ON
OFF

- SFC is switched on.

Setting

- Switch off SFC using the arrow key.

SET SFC ON
→ OFF

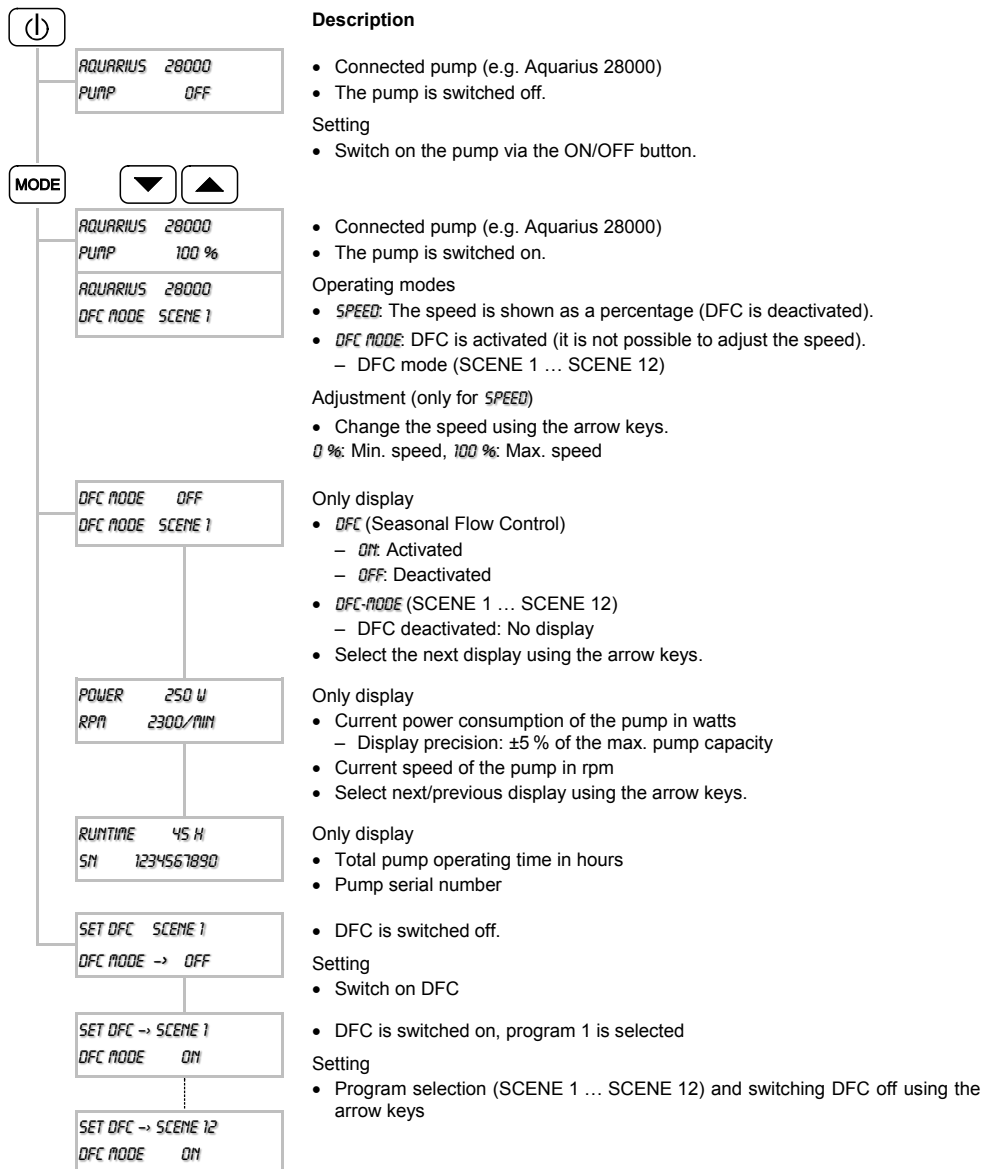
- SFC is switched off.

Setting

- Switch on SFC using the arrow key.

Menu: Aquarius Eco Expert pump

When the Aquarius Eco Expert pump is connected, the following menus and setting possibilities are available.



Error messages

Once a malfunction has been remedied, the error message automatically disappears.

Error message	Cause	Remedy
<i>WARNING</i> <i>NO WATER</i>	The pump has run dry (dry run protection has tripped).	<ul style="list-style-type: none"> - Flood the pump. - Fully submerge the pump for operation in a pond. - Vent the supply line. - Remove any blockage from the supply line.
	Filter housing clogged (dry run protection has tripped).	Clean the pump.
<i>WARNING</i> <i>MOTOR BLOCKED</i>	Impeller unit is blocked (dry run protection has tripped).	Disconnect the power supply and remove obstacle. Then switch the pump on again.
<i>WARNING</i> <i>HIGH TEMPERATURE</i>	Ambient temperature for dry installation is too high.	<ul style="list-style-type: none"> - Avoid exposure to direct sunlight. - Note maximum water temperature of +35°C.
	Water temperature too high	Note maximum water temperature of +35°C.
<i>WARNING</i> <i>HIGH POWER</i>	Current consumption too high	Clean the pump.
	<ul style="list-style-type: none"> - Impeller unit running sluggishly - Excessively soiled water 	

Storage/overwintering

The unit is frost-proof to -20 °C. If lower temperatures are expected, the unit must be removed and put into storage.

How to correctly store the unit:

- Protect the EGC plug from moisture and dirt.

Wear parts

The following components are wear parts and are excluded from the warranty:

- EGC plug seal

Disposal



NOTE

Do not dispose of this unit with domestic waste.

- Render the unit unusable beforehand by cutting the cables and dispose of the unit via the return system provided for this purpose.

Spare parts




The use of original parts from OASE ensures continued safe and reliable operation of the unit.

Please visit our website for spare parts drawings and spare parts.



www.oase-livingwater.com/spareparts

DE	Technische Daten	Anschluss/Schnittstelle	Länge Anschlussleitung	Abmessungen	Gewicht
EN	Technical data	Connection /Interface	Length of connection cable	Dimensions	Weight
FR	Caractéristiques techniques	Raccord/Interface	Conduite de raccordement longue	Dimensions	Poids
NL	Technische gegevens	Aansluiting/interface	Lengte aansluitleiding	Afmetingen	Gewicht
ES	Datos técnicos	Conexión/ Interfaz	Longitud del cable de conexión	Dimensiones	Peso
PT	Dados técnicos	Conexão/Interface	Comprimento do cabo de alimentação	Dimensões	Peso
IT	Caratteristiche tecniche	Collegamento/Interfaccia	Lunghezza cavo di collegamento	Dimensioni	Peso
DA	Tekniske data	Tilslutning/grænseflade	Længde på tilslutningsledning	Dimensionier	Vægt
NO	Tekniske data	Tilkobling/grænsnitt	Lengde stikkledning	Mål	Vekt
SV	Tekniska data	Anslutning/gränssnitt	Längd anslutningsledning	Mått	Vikt
FI	Tekniset tiedot	Liitäntä	Liitäntäjohdonpituus	Mitat	Paino
HU	Műszaki adatok	Csatlakozó/interfész	Csatlakozóvezeték hossza	Méreték	Súly
PL	Dane techniczne	Podłączenie / interfejs	Długość przewodu przyłączeniowego	Wymiary	Masa
CS	Technické údaje	Připojka/rozhraní	Délka připojovacího vedení	Rozměry	Hmotnost
SK	Technické údaje	Pripojenie/rozhranie	Dĺžka pripojného vedenia	Rozmery	Hmotnosť
SL	Tehnični podatki	Priključek/vmesnik	Dolžina priključne vrvice	Dimenzije	Teža
HR	Tehnički podaci	Priključak / spojno mjesto	Duljina priključne cijevi	Dimenzije	Težina
RO	Date tehnice	Racord/interface	Lungimea cablului de conexiune	Dimensiuni	Greutate
BG	Технически данни	Свързване/Интерфейс	Дължина свързващ проводник	Размери	Тегло
UK	Технічні характеристики	Підключення/стик	Довжина злучного проводу	Розміри	Вага
RU	Технические данные	Подключение/интерфейс	Длина подсоединительного провода	Размеры	Вес
CN	技术数据	连接/接口	连接导线长度	尺寸	重量
Eco Control		EGC	10 m	95 × 85 × 35 mm	1,3 kg

	IP 44			
DE	Staubgeschützt. Geschützt gegen Spritzwasser	Vor direkter Sonnen- strahlung schützen.	Nicht mit normalem Hausmüll entsorgen!	Achtung! Lesen Sie die Gebrauchsanleitung
EN	Dust protected. Splash water protected	Protect from direct sun radia- tion.	Do not dispose of together with household waste!	Attention! Read the operating instructions
FR	Protection contre la poussière. Protection contre la projection d'eau	Protéger contre les rayons directs du soleil.	Ne pas recycler dans les or- dures ménagères !	Attention ! Lire la notice d'emploi
NL	Stofvrij. Beschermd tegen spatwater	Beschermen tegen direct zonlicht.	Niet bij het normale huisvuil doen!	Let op! Lees de gebruiksaanwijzing
ES	Protegido contra polvo Protegido contra chorros de agua	Protéjase contra la radiación directa del sol.	¡No deseche el equipo en la basura doméstica!	¡Atención! Lea las instrucciones de uso
PT	Protegido contra pó. Protegido contra respingos de água	Proteger contra radiação so- lar directa.	Não deitar ao lixo doméstico!	Atenção! Leia as instruções de utilização
IT	Protetto contro la polvere. Protetto contro gli spruzzi d'acqua	Proteggere contro i raggi so- lari diretti.	Non smaltire con normali rifiuti domestici!	Attenzione! Leggete le istruzioni d'uso!
DA	Støvs beskyttet. Stærkvandsbeskyttet	Beskyt mod direkte sollys.	Må ikke bortskaffes med det al- mindelige husholdningsaffald	OBS! Læs brugsanvisningen
NO	Støvsbeskyttet. Beskyttet mot vannsprut.	Beskytt mot direkte sollys.	Ikke kast i alminnelig husholdningsavfall!	NB! Les bruksanvisningen
SV	Dammskyddad. Skyddad mot droppvatten	Skydda mot direkt solstrål- ning.	Får inte kastas i hushållsso- porna!	Varning! Läs igenom bruksanvisningen
FI	Suojattu pölyltä. Suojattu tippuvedeltä.	Suojattava suoralla auringon- valolta.	Älä hävittää laitetta tavallisen ta- lousjätteen kanssa!	Huomio! Lue käyttöohje
HU	Porvédett. Fröccsvíz-védett	Övja közvetlen nap- sugárzástól.	A készüléket nem a normál háztartási szeméttel együtt kell megsemmisíteni!	Figyelem! Olvassa el a használati útmutatót
PL	Ochrona przed pyłem. Odporne na rozpryskującą się wodę	Chronić przed bezpośrednim nasłonecznieniem.	Nie wyrzucać wraz ze śmie- ciami domowymi!	Uwaga! Przeczytać instrukcję użytkowania!
CS	Chráněný proti prachu. Chráněný proti odstříkující vodě	Chránit před přímým slunečním zářením.	Nelikvidovat v normálním ko- munálním odpadu!	Pozor! Přečtete Návod k použití!
SK	Chráněný proti prachu. Chráněný proti odstrekujúcej vode	Chránit pred priamym slnečným žiarením.	Nelikvidovať v normálnom ko- munálnom odpade!	Pozor! Prečítajte si Návod na použitie
SL	Zaščiteno pred prahom. Zaščiteno pred škropljenjem	Zaščitite pred neposrednimi sončnimi žarki.	Ne zavrzajte skupaj z gospodin- skimi odpadki!	Pozor! Preberite navodila za uporabo!
HR	Zaštićeno od prašine. Zaštićeno od prskajuće vode	Zaštite od izravnog sunčevog zračenja.	Nemojte ga bacati u običan kućni otpad!	Pažnja! Pročitajte upute za upotrebu!
RO	Protejat împotriva prafului. Protejat împotriva stropirii cu apă	Protejați împotriva razelor di- recte ale soarelui.	Nu aruncați în gunoier menajer !	Atenție ! Citiți instrucțiunile de utilizare !
BG	Защитено от прах. Защитено от напръскване с вода	Да се пази от слънчеви лъчи.	Не изхвърляйте заедно с обикновения домакински бок- лук!	Внимание! Прочетете утъгването
UK	Захищений від пилу і бризок води	Пристрій повинен бути за- хищений від прямого соняч- ного випромінювання.	Не викидайте разом із побу- товим сміттям!	Увага! Читайте інструкцію.
RU	Пылезащищен. Защищен от водяных брызг	Защищать от прямого воз- действия солнечных лучей.	Не утилизировать вместе с домашним мусором!	Внимание! Прочитайте инструкцию по ис- пользованию
CN	有防尘保护 有防溅水保护	防止阳光直射。	不要同普通的家庭垃圾一起丢 弃!	注意! 请阅读使用说明书。



OASE GmbH · www.oase-livingwater.com

Tecklenburger Straße 161 · 48477 Hörstel · Postfach 20 69 · 48469 Hörstel · Germany

