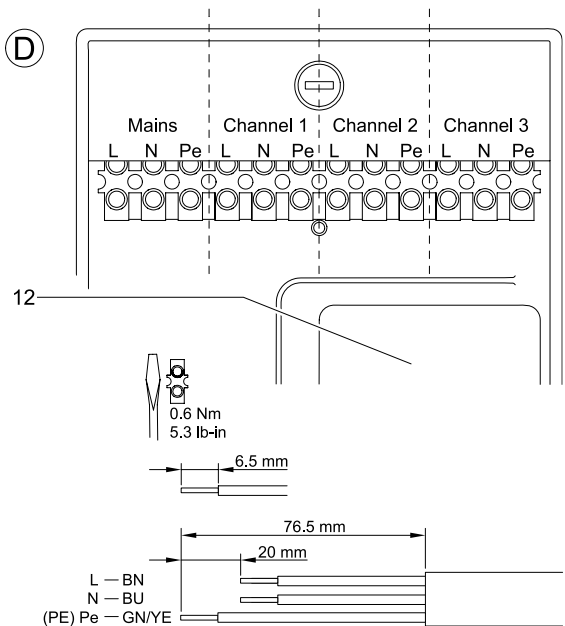
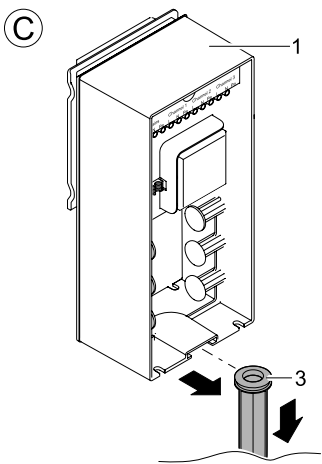
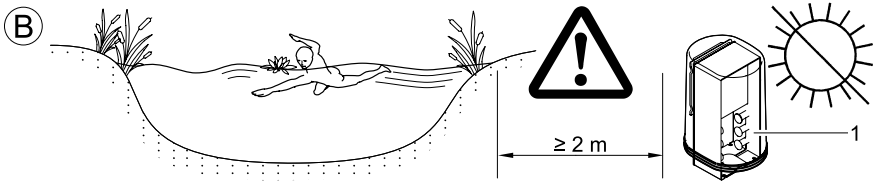
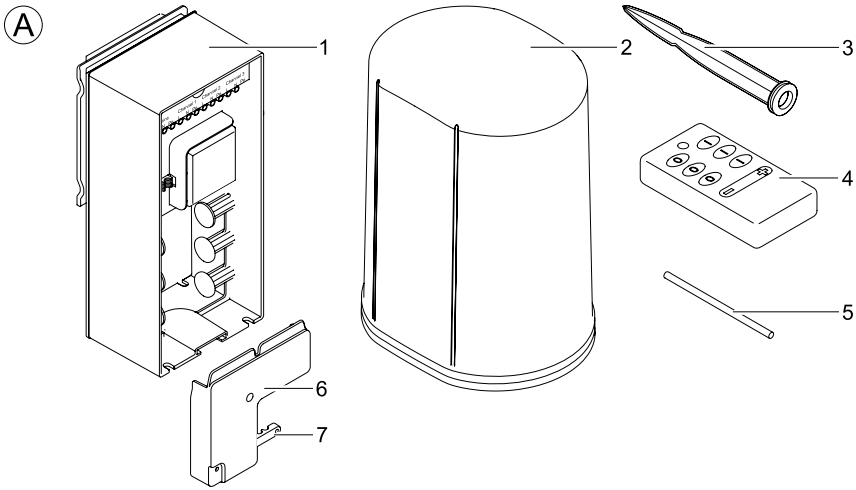


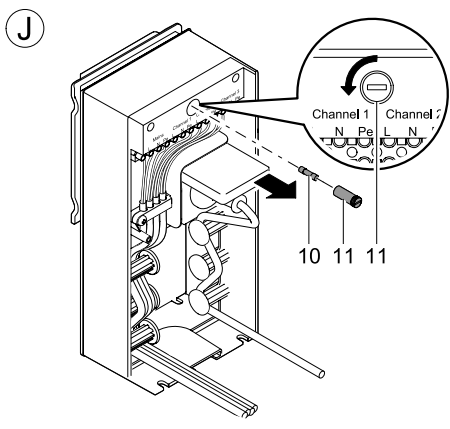
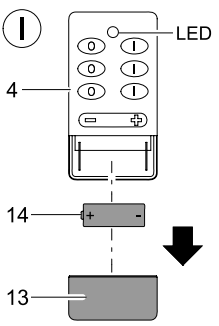
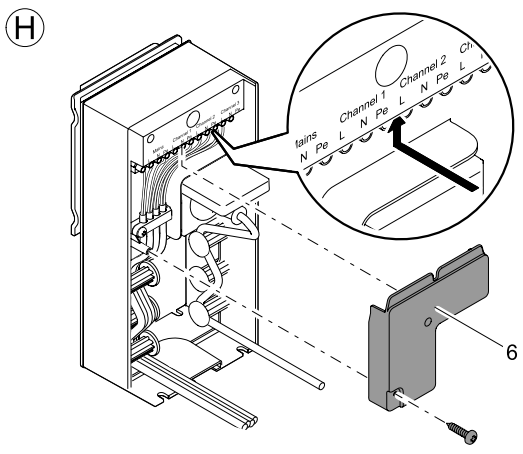
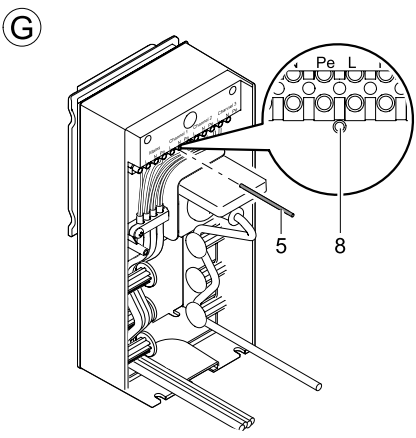
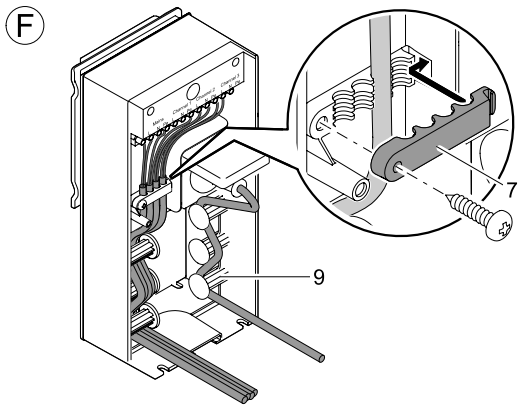
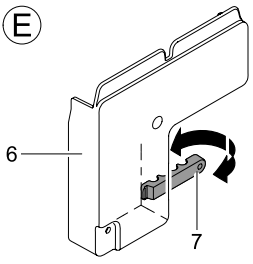


INSCENIO FM-MASTER GB

GB Operating instructions
DE Gebrauchsanleitung








Translation of the original Operating Instructions


Information about these operating instructions


Welcome to OASE Living Water. You made a good choice with the purchase of this product **InScenio FM-Master**. Prior to commissioning the unit, please read the instructions of use carefully and fully familiarise yourself with the unit. Ensure that all work on and with this unit is only carried out in accordance with these instructions. Adhere to the safety information for the correct and safe use of the unit. Keep these instructions in a safe place! Please also hand over the instructions when passing the unit on to a new owner.

Symbols used in these instructions

The symbols used in this operating manual have the following meanings:

 **Risk of injury to persons due to dangerous electrical voltage**
This symbol indicates an imminent danger, which can lead to death or severe injuries if the appropriate measures are not taken.

 **Risk of personal injury caused by a general source of danger**
This symbol indicates an imminent danger, which can lead to death or severe injuries if the appropriate measures are not taken.

 Important information for trouble-free operation.

Scope of delivery

A	Quantity	Description
1	1	InScenio FM-Master; type 1, 2 or 3
2	1	Protection hood
3	1	Ground stake
4	1	Hand-held transmitter
5	1	Teach-in pin
6	1	Protection cover for terminal strip
7	1	Clip for pull relief

Intended use

InScenio FM-Master, in the following termed "unit", may only be used as a power supply distributor for correspondingly suitable Oase products. The unit can be used at ambient temperatures of -20 °C to +45 °C.

Only connect such other devices and systems to the unit, which will not pose any danger to persons or assets in the event of a malfunction of the transmitter or receiver or where such risk is eliminated by other safety measures.

Devices and systems bearing an increased risk of accident must not be activated or deactivated by means of the manual transmitter.

Safety information

The company **OASE** has built this unit according to the state of the art and the valid safety regulations. Despite the above, hazards for persons and assets can emanate from this unit if it is used in an improper manner or not in accordance with its intended use, or if the safety instructions are ignored.

For safety reasons, children and young persons under 16 years of age as well as persons who cannot recognize possible danger or who are not familiar with these operating instructions, are not permitted to use the unit. Keep children under supervision to ensure that they do not play with the unit.

Hazards encountered by the combination of water and electricity

- The combination of water and electricity can lead to death or severe injury from electrocution, if the unit is incorrectly connected or misused.
- Prior to reaching into the water, always switch off the mains voltage to all units used in the water.

Correct electrical installation

- Electrical installations must meet the national regulations and may only be carried out by a qualified electrician.
- A person is regarded as a qualified electrician, if, due to his/her vocational education, knowledge and experience, he or she is capable of and authorised to judge and carry out the work commissioned to him/her. Working as a qualified person also includes the recognition of possible hazards and the adherence to the pertinent regional and national standards, rules and regulations.
- For your own safety, please consult a qualified electrician.
- The unit may only be connected when the electrical data of the unit and the power supply coincide. The unit data is to be found on the unit type plate or on the packaging, or in this manual.

- Ensure that the unit is fused for a rated fault current of max. 30 mA by means of a fault current protection device.
- Extension cables and power distributors (e.g. outlet strips) must be suitable for outdoor use.
- Protect the plug connections from moisture.

Safe operation

- Operation of the unit is only permitted with the protection hood fitted. In this manner, connections and plugs are protected from rain and splash water (type of protection IP X4).
- Ensure that all protection covers are fitted.
- The unit, the connections and plugs are not water-proof and must not be routed or installed in water.
- Never operate the unit if either the electrical cables or the housing are defective!
- Do not carry or pull the unit by its electrical cable.
- Route all cables such that damage is excluded and nobody can trip over them.
- Never open the unit housing or its attendant components, unless this is explicitly required in the operating instructions.
- Only use original spare parts and accessories for the unit.
- Never carry out technical modifications to the unit.
- Only have repairs carried out by customer service points authorised by OASE.

Installation

How to install the unit:

- Remove the protection hood from the unit.
- Set-up the unit horizontally and water-protected, at a dry location, at least 2 m from the edge of the pond (B, C).
- Fully insert the ground stake (3) into the soil.
- Place the unit onto the ground stake (insert the ground stake in a corresponding mounting).
- Check its stability.

Electrical installation



Attention! Dangerous electrical voltage.

Possible consequences: Death or severe injury.

Protective measures: Isolate the unit prior to reaching into the water and carrying out any work on the unit. Secure the unit from being switched on inadvertently.

For the electrical installation, carry out the following work steps in the order specified:

- Carry out the electrical connection
- Fit the pull relief
- Teach-in manual transmitter
- Fit the protection cover

Carry out the electrical connection

How to carry out the electrical connection:

- Check that the unit connection meets the regulations. For this purpose, consult the instructions of use of the unit you wish to connect.
The following applies: Units powered via a transformer may not be connected to a power supply with dimmer function.
- Strip cable. Adhere to the stripping length (D).
- Carry out all connections according to (D) and the following table. Only use ferrules for wires and do not exceed the tightening torque.

Connection	Function		
	InScenio FM-Master 1	InScenio FM-Master 2	InScenio FM-Master 3
Mains	permanent	permanent	permanent
Channel 1	with switch function	with switch function	with switch function
Channel 2	with switch function	with switch function	with switch function
Channel 3	permanent	with switch function	with switch and dimmer function
Socket (D, 12)	permanent	permanent	permanent

Fit the pull relief

- Wind the cable around the lugs for pull relief (F, 9).
- Break off clip (7) from the protection cover (E, 6) at the predetermined breaking edge.
- Hook in and screw-tighten the pull relief clip (F, 7).
- Fit the protection cover (H, 6).
- Refit the protection hood to the unit.

- GB -

Start-up**Teach-in manual transmitter****Attention! Dangerous electrical voltage.****Possible consequences:** Death or serious injuries.**Protective measures:**

- Do not touch live components.
- Refit all protection covers once teach-in is completed.

**Note!**

It is only possible to teach in the manual transmitter when mains voltage is supplied to the power supply distributor.

- If necessary, remove the protection hood from the power supply distributor.
- Fit the protection cover (H, 6), if necessary.

Check the function of the manual transmitter by actuating one of its buttons. The LED of the manual transmitter must light up. A maximum of 10 transmitters can be taught in. Depending on the terrain, the range is up to 80 m. When the transmission power fades, replace the battery of the manual transmitter.

Prior to being able to start up the unit, harmonise the manual transmitter transmit signal with the receiver in the unit. For this purpose, the receiver is equipped with a teach-in key.

How to teach-in the manual transmitter (G):

- Insert the teach-in pin (5) into the opening (8) until you feel a resistance. At this point you have reached the teach-in key.
- Briefly press the teach-in key using the teach-in pin.
- Keep any button of the manual transmitter pressed for at least 3 sec.

This completes the teaching in of the receiver to the manual transmitter.

- Fit the protection cover (H, 6).
- Refit the protection hood to the unit.

Deleting saved manual transmitters

How to delete the manual transmitters from the unit:

- Keep the teach-in key of the unit pressed for at least 5 sec. using the teach-in pin (5).
All saved manual transmitters are deleted.

Operation

How to operate the manual transmitter:

LED Control lamp	LED		InScenio FM-Master 1	InScenio FM-Master 2	InScenio FM-Master 3
O switch off	a		a Switch channel 1	a Switch channel 1	a Switch channel 1
I switch on	b		b Switch channel 2	b Switch channel 2	b Switch channel 2
- + dim	c		c no function	c Switch channel 3	c Switch channel 3
	d		d no function	d no function	d Dim channel 3

Remedy of faults

Malfunction	Cause	Remedy
Unit does not respond to commands from the hand-held transmitter	Receiver in the unit does not receive from the manual transmitter	Teach-in manual transmitter
	Interference over radio distance	Choose a different place, ensure unobstructed view
	Receiver in the unit defective	Contact the OASE service
	Battery in the hand-held transmitter is dead (LED of the manual transmitter does not light)	Change battery
	Fine fuse has tripped because a unit without dimming function was connected to channel 3 (only InScenio FM-Master 3)	Replace fuse Only connect units with dimming function to channel 3.

Supplemental instructions for operation

- After a power outage the power outlets are switched off.
- Do not connect any additional FM-Master units or portable multi-outlet power strips to the device.
- The device is only de-energised when the plug of the mains supply cable is unplugged.

Maintenance and cleaning



Attention! Dangerous electrical voltage.

Possible consequences: Death or serious injuries.

Protective measures: Always switch the unit voltage free and secure against switching on again prior to working on the unit.

Cleaning the unit

Clean the unit with a soft, clean and dry cloth. Never use aggressive cleaning agents or chemical solutions. These can attach the housing surface or impair the function.

Replacing the fuse (only InScenio FM-Master 3)

The unit control electronics are fused by means of a fine fuse. The fuse is located in a special fuse holder (J, 11). Please contact your specialist dealer if you do not wish to undertake the replacement yourself.

How to replace the fuse:

- Pull the plugs of all units connected to power supply distributors.
- Isolate the power supply distributor.
- Hold the unit, then turn the fuse holder counter-clockwise by a quarter of a turn using a screw driver and exerting light pressure (bayonet closure).
- Remove the fuse holder including fuse.
- Replace the fuse.
 - Use fine fuse 5 × 20 mm, 2 A slow-blow.
- Turn in the fuse holder again.
- Reconnect the unit.

Change battery

How to replace the battery in the manual transmitter:

- At the manual transmitter (I, 4) push back the bottom section of the cover (13).
- Replace battery (14).
 - Use alkaline-manganese battery, type V23 GA (12 V).
- Close cover.
- Dispose of batteries in an environmentally friendly manner.

Disposal



Do not dispose of this unit with domestic waste! For disposal purposes, please use the return system provided. Disable the unit beforehand by cutting off the cables.

Disposal of batteries

Do not dispose of batteries with the household waste. Only dispose of dead batteries by using the return system provided for this purpose.

Disposal of batteries within the European Union

As a user, you are obligated by law to return used batteries. Return is free of charge.

Either dispose of batteries through the public return and recycling systems of your municipality or community, or return the batteries to the place where they were bought.

Batteries containing harmful substances bear the following signs:

Pb = Battery contains lead


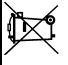


Cd = Battery contains cadmium

Hg = Battery contains mercury

Li = Battery contains lithium



GB	Rated voltage	Connected power	Load, dimming socket	Outlets	Weight	Dimensions	Frequency and max. range	Battery
DE	Bemessungsspannung	Anschlussleistung	Belastung dimmbarer Anschluss	Ausgänge	Gewicht	Abmessungen	Frequenz und max. Reichweite	Batterie
InScenio FIM-Master 1	AC 230 V / 50 Hz	max. 3600 W / 16 A	–	4	2.1 kg	215 x 155 x 295 mm	433.92 MHz 80 m	12 V Alkali-Mangan Typ V23 GA
InScenio FIM-Master 2	AC 230 V / 50 Hz	max. 3600 W / 16 A	–	4	2.1 kg	215 x 155 x 295 mm	433.92 MHz 80 m	12 V Alkali-Mangan Typ V23 GA
InScenio FIM-Master 3	AC 230 V / 50 Hz	max. 3600 W / 16 A	40 - 320 W	4	2.1 kg	215 x 155 x 295 mm	433.92 MHz 80 m	12 V Alkali-Mangan Typ V23 GA

	IP X4			 
DE	Schutz gegen das Eindringen von Spritzwasser.	Vor direkter Sonneneinstrahlung schützen.	Nicht mit normalem Hausmüll entsorgen!	Achtung! Lesen Sie die Gebrauchsanleitung
GB	Protection against the ingress of splash water.	Protect from direct sun radiation.	Do not dispose of together with household waste!	Attention! Read the operating instructions



Konformitätserklärung gemäß dem Gesetz über Funkanlagen und Telekommunikationsendeinrichtungen (FTEG) und der Richtlinie 1999/5/EG (R&TTE)

Declaration of Conformity in accordance with the Radio and Telecommunications Terminal Equipment Act (FTEG) and Directive 1999/5/EC (R&TTE Directive)

OASE GmbH
Tecklenburger Str. 161
48477 Hörstel
Tel. +49 54 54 / 80-0

erklärt, dass das Produkt
declares that the product

Produkt / Product: **Funk-Handsender**
Transmitter for switching commands

Typ / Type: **1534**

bei bestimmungsgemäßer Verwendung den grundlegenden Anforderungen des § 3 und den übrigen einschlägigen Bestimmungen des FTEG (Artikel 3 der R&TTE) entspricht.
complies with the essential requirements of §3 and the other relevant provisions of the FTEG (Article 3 of the R&TTE Directive), when used for its intended purpose.

Das Produkt entspricht folgenden Richtlinien und Normen:
The product complies to the following directives and standards:

- ETSI EN 300220-1 (2006-04)**
- ETSI EN 300220-2 (2007-06)**
- ETSI EN 301489-1 (2008-04)**
- ETSI EN 301489-3 (2002-08)**
- DIN EN 50371 (2002-11)**
- DIN EN 60950-1 (2003-03)**

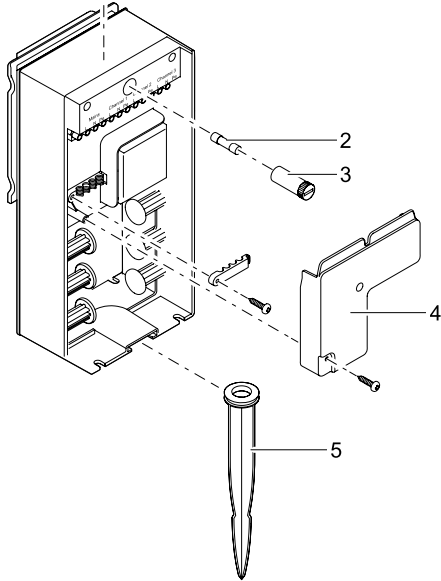
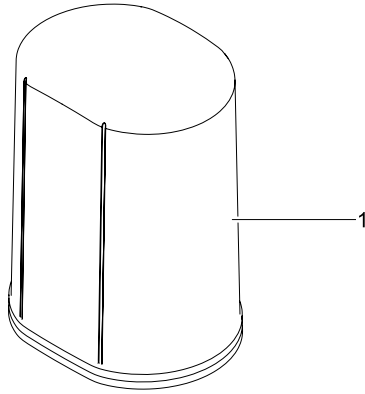
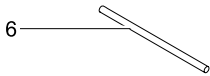
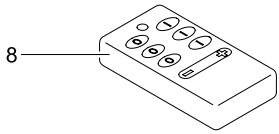
Entsprechend dem Konformitätsbewertungsverfahren nach Anhang II / III / IV / V stimmt das Produkt mit den grundlegenden Anforderungen der Richtlinie 99/5/EG des europäischen Parlaments und des Rates vom 9. März 1999 über Funkanlagen und Telekommunikationsendeinrichtungen und die gegenseitige Anerkennung ihrer Konformität überein.

According to the assessment procedure of conformity to annex II / III / IV / V the product complies to the basic requirements of guideline 99/5/EG of the european parliament and council from March, 9th, 1999 about radio and telecommunication terminal equipment and the reciprocal acceptance of their conformity.

Hörstel, 14.04.2011

Anreas Hanke
Leiter F&E
Head of R&D

Pos.	
1	33371
2	14368
3	27645
4	34793
5	20284
6	14496
7	23263
8	22653





OASE GmbH · www.oase-livingwater.com

Tecklenburger Straße 161 · 48477 Hörstel · Postfach 20 69 · 48469 Hörstel · Germany



17263/04G