

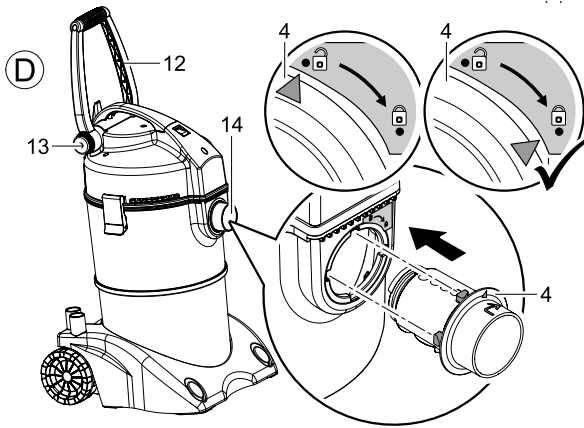
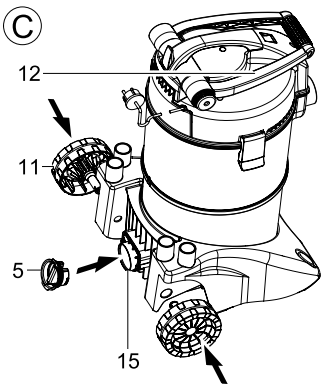
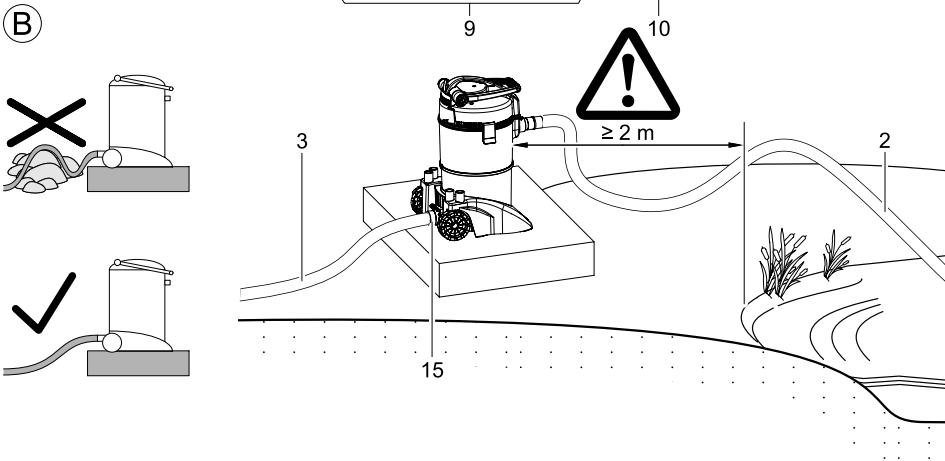
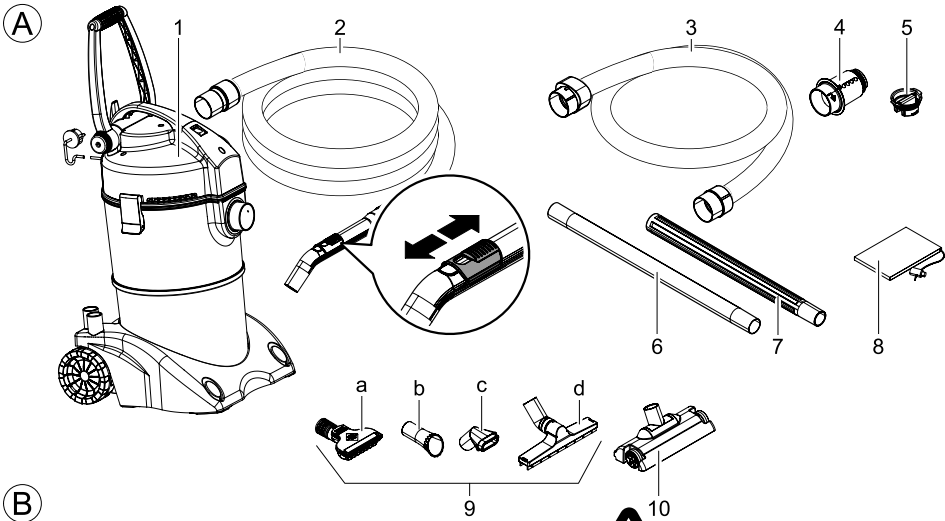
Oase
LIVING WATER

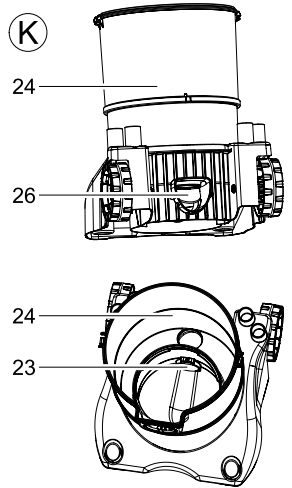
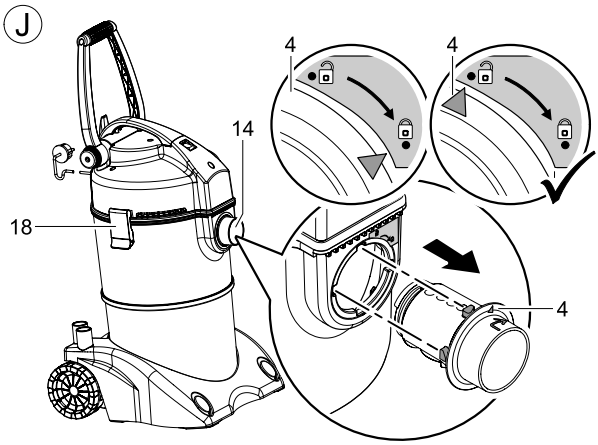
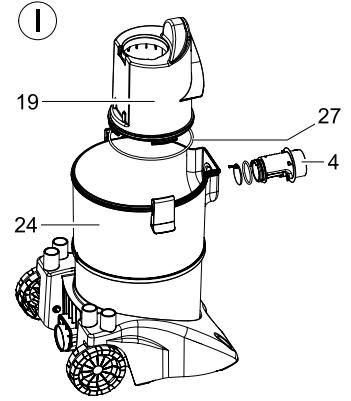
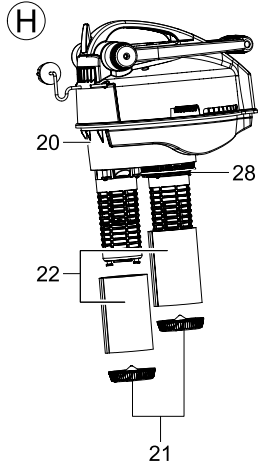
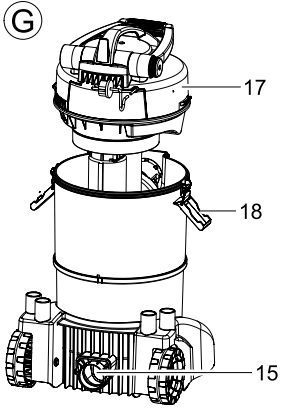
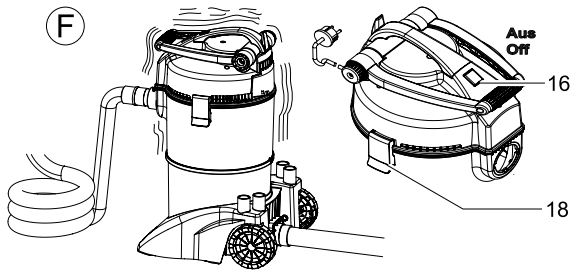
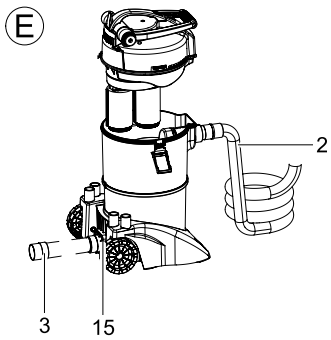


PONDOVAC 4

DE Gebrauchsanleitung
GB Operating instructions
FR Notice d'emploi
NL Gebruiksaanwijzing
ES Instrucciones de uso
PT Instruções de uso
IT Istruzioni d'uso
DK Brugsanvisning
NO Bruksanvisning
SE Bruksanvisning
FI Käyttöohje
HU Használati útmutató
PL Instrukcja użytkowania
CZ Návod k použití
SK Návod na použitie
SI Navodila za uporabo
HR Uputa o upotrebi
RO Instrucțiuni de folosință
BG Упътване за употреба
UA Посібник з експлуатації
RU Руководство по эксплуатации
CN 使用说明书







Translation of the original Operating Instructions

Information about these operating instructions

Welcome to OASE Living Water. You made a good choice with the purchase of this product **Pondovac 4**. Prior to commissioning the unit, please read the instructions of use carefully and fully familiarise yourself with the unit. Ensure that all work on and with this unit is only carried out in accordance with these instructions. Adhere to the safety information for the correct and safe use of the unit. Keep these instructions in a safe place! Please also hand over the instructions when passing the unit on to a new owner.

Scope of delivery

Figure (A)	Number	Description
	1	Pondovac 4 Sludge suction unit
1	1	5 m suction hose
2	1	2.5 m drain hose
3	1	Inlet distributor
4	1	Plug
5	1	Extension tube, transparent
6	4	Extension tubes, aluminium (Al)
7	–	Extension tubes, plastic (PP)
8	1	Dirt catcher bag
9		Set of tools
a	1	Universal tool
b	1	Thread algae tool
c	1	Bristle tool
d	1	Wet suction tool
10	1	Large tool
	1	Operating instructions

Intended use

Pondovac 4 ., in the following text termed unit, is restricted to draw out pond sludge or as a wet -vacuum cleaner. This also applies to all other components being part of our scope of delivery. The attendant filter is only suitable for fluids. Taking in of dust or dirt will lead to its destruction.

The unit is only intended for private domestic use, not for commercial purposes or rental.

Never use the unit to collect flammable or toxic substances

- (e.g. benzene, asbestos, asbestos dust, copier toner),
- volatile substances,
- acids,
- hot or glowing ash,
- dust, sand or similar dirt.

- GB -

Safety information

Hazards to persons and assets may emanate from this unit if it is used in an improper manner or not in accordance with its intended use, or if the safety instructions are ignored.

This unit can be used by children from the age of 8 and by persons with physical, sensory or mental impairments or lack of experience and knowledge, as long as they are supervised or instructed on how to use the unit safely and are able to understand the potential hazards. Do not allow children to play with the unit. Do not allow children to clean or maintain the unit without close supervision.

Hazard in explosive environments

The unit is not explosion protected. Never use the unit in the presence of explosive dust, fluids or vapours!

Hazards encountered by the combination of water and electricity

- The combination of water and electricity can lead to death or severe injury from electrocution, if the unit is incorrectly connected or misused.
- Prior to reaching into the water, always switch off the mains voltage to all units used in the water.

Correct electrical installation

- Electrical installations must meet the national regulations and may only be carried out by a qualified electrician.
- A person is regarded as a qualified electrician, if, due to his/her vocational education, knowledge and experience, he or she is capable of and authorised to judge and carry out the work commissioned to him/her. This also includes the recognition of possible hazards and the adherence to the pertinent regional and national standards, rules and regulations.
- For your own safety, please consult a qualified electrician.
- The unit may only be connected when the electrical data of the unit and the power supply coincide. The unit data is to be found on the unit type plate or on the packaging, or in this manual.
- A unit ready to be plugged in may only be connected to a properly installed outlet.
- Extension cables and power distributors (e. g. outlet strips) must be suitable for outdoor use.

Safe operation

- Do not operate or leave the unit in the rain.
- Minimum safety distance between the unit and the water: 2 m.
- Only operate the unit if no persons are in the water!
- Never operate the unit if either the electrical cables or the housing are defective!
- Do not carry or pull the unit by its electrical cable.
- Route cords/hoses/lines in a way that they are protected against damage, and ensure that they do not present a tripping obstacle.
- Only open the unit housing or its attendant components, when this is explicitly required in the operating instructions.
- Only execute work on the unit that is described in this manual. If problems cannot be overcome, please contact an authorised customer service point or, when in doubt, the manufacturer.
- Only use original spare parts and accessories for the unit.
- Never carry out technical modifications to the unit.

Installation

Preparation (Fig. C, D, E):

- Fit the wheels (11) on the housing.
- Bring the transport brace (12) into the desired position. For this purpose, loosen and retighten the hand screw (13).
- Fit the intake distributor (4) into the inlet (14) by performing a plug-turn movement (bayonet closure).
- Connect the suction hose (2) to the intake distributor (4).
- Fit the extension tube (Fig. A, 6, 7) at the hand-held nozzle of the tube (2). The transparent tube (6) allows a flow control to be able to detect blockages earlier.
- Slide on the tool (9, 10) appropriate for the task.

Note: The higher the number of tubes used, the higher the tube frictional resistance. This leads to a reduction of the suction capacity.

Operation as a sludge suction unit (Fig. B, E)

Note: When the unit is used as a sludge suction unit, the waste water is directly drained through the drain hose (Fig. B, 3). The water is not collected in the container.

How to proceed:

- Place the unit at a minimum distance of 2 m from the water.
- Route the drain hose (3) with a slight gravity; Places the unit slightly higher. Ensure a safe and stable position. Ensure that the drain opening (15) is above the water level.
- Plug the drain hose (3) into the drain opening (15) of the collection container.
- Ensure that the hose lies straight: Avoid kinks or bends caused by unevenness of the ground. Allow unrestricted draining of the water, which has to be disposed of in accordance with the local conditions.

Note: When you pull the dirt catcher bag (Fig. A, 8) over the free end of the drain hose (3), you can return the water, then free from coarse particles, such as dead leaves or algae, into the pond. As an alternative, the removed pond sludge can be used as plant fertiliser. In this case, lay the drain hose directly on a plant bed. Otherwise dispose of in accordance with the local conditions.

Use as a wet vacuum cleaner

Note: When using the unit as a wet vacuum cleaner, the waste water is collected in the container. A maximum of 10 l of fluid can be taken in.

How to proceed:

- Place the unit at a minimum distance of 2 m from the water (Fig. B).
- Seal the drain opening (15) of the collection container by means of the plug (Fig. C, 5).

Use of the tools (Fig. A, 9, 10):

Universal tool (a): To remove pond sludge without taking in the pond gravel.

Thread algae tool (b): For the separation and removal of thread algae.

Bristle tool (c): For the removal of stubborn soiling.

Large tool (10): For cleaning large, level surfaces.

Wet suction tool (d): Only to be used when operating the unit as a wet vacuum cleaner to remove soiled water or residual water.

Note: Always work slowly, performing smooth, uniform movements. This largely prevents sediments from being swirled up.

Start-up

Attention! Never operate the unit without foam filter (Fig. H, 22) or float body! Both are fitted when delivered. Never vacuum dust or dirt!

Connect the unit to the power supply. The unit is equipped with a power switch (Fig. F, 16):

Position I: Automatic mode. Continuous operation.

Position 0: The unit is switched off.

- GB -

Operation

Regulating the suction intensity

The suction intensity can be regulated with the slide in the suction hose handle. Reducing the suction intensity can be useful when the unit operated in the sludge suction mode draws in too much unwanted material, for instance, pebbles that block the passage.

Abnormalities

Unusual behaviour could be encountered during operation.

The unit heavily vibrates. Turn the unit off at the power switch (16) and on again after 20 seconds. If vibration persists, probably either

- the tank is full (when operated as a wet vacuum cleaner, plug inserted),
- or the intake distributor, the drain or the foam filter is soiled.

In this case, clean and service the unit.

Vapour develops. No reason to worry. This is condensate released through the ventilation slots in the form of water vapour. This effect is particularly encountered in cold weather.

Remedy of faults

Malfunction	Cause	Remedy
Vapour escapes from the unit	In cold weather, condensate forms in the unit, which is released in the form of water vapour.	This is normal. No remedy necessary
The unit develops noise and/or heavy vibration	The tank is full	Drain tank
	Intake distributor, drain or foam filter is soiled	Switch off the unit, wait 20 s, then switch on again. If the malfunction reoccurs, clean the unit.
The unit does not suck or its performance reduces	No mains voltage	Check mains voltage
	Excessive height difference between water level and unit	We recommend that the outlet height is slightly above the water level
	Both containers are full of water. The float bodies seal completely	Drain the unit
	Dirt plugs foam filters, the suction tube or the suction hose	Remove dirt
	The flap at the intake distributor is jammed or soiled	Remove the intake distributor. Check the flap seating (Fig. I, 4)
	O ring at the inlet distributor not properly seated	Check the O-ring seating (Fig. I, 4)
	The flap at the outlet valve is jammed or soiled	Remove the drain hose. Check the flap seating
Low suction capacity	O ring at the inner tank not properly seated	Check the O-ring seating (Fig. I, 27)
	Slide in the suction handle is open	Close the slide in the suction handle
	Increased tube friction resistance	Keep the suction hose as short and flat as possible.
The container does not empty	Suction depth too large. Due to the design, the suction capacity reduces as from a suction depth of 2 m	Reduce the suction depth
	The drain hose is kinked or was not laid with an incline	Route the hose correctly. See Installation.
Poor unit switching behaviour between the containers, or no switch-over	Drain hose or drain valve plugged with dirt	Remove dirt from the drain hose and the drain valve
	Dirt film on the pistons after an extended down time	Remove motor housing (G, 17). Start the switching cycle manually by holding the motor head overhead.

Maintenance and cleaning

Standard cleaning (Fig. F - H)

- Switch the unit off at the power switch (16) and pull out the power plug.
- Remove all hoses.
- Unlock the container lock (18).
- Remove the motor housing (17).
- Flush the inner tank (19), but do not remove.
- Unlock the engagement plates (21) beneath the foam filters (22).
- Remove the foam filters (22) and wash out with clean water.

Note: Foam filters are wear parts. Check the foam filters at the same time. If damaged, only replace with original OASE spare parts.

Clean inner tank, collector, intake distributor and drain valve (Fig. I - K)

- Intake distributor (Fig. J): Turn the intake distributor (4) out of the bayonet closure (14). Check the completeness and condition of the rubber seals (25) in the intake distributor.
- Rinse the intake distributor.
- Remove the inner tank (Fig. I 19) and rinse.
- Check the condition of the rubber seal (27).
- Rinse the collector (Fig. K 24) and drain valve (23).
- Check seating and ease of movement of the flap (26) in the drain opening.

Note: Sealing rings and valve rubber elements are wear parts. If damaged or lost, only replace with original OASE spare parts.

Reassembling the unit

Subsequently, reassemble the unit in the reverse order. Do not forget to lock the motor housing using the engagement hooks (Fig. J, 18).

Wear parts

Foam filters, sealing rings and valve rubber parts are wear parts and are, therefore, not covered by our warranty.

Storage

Empty out the collection container and clean the unit. Store in a dry, frost protected room, inaccessible to children.

Disposal

Foam filters and seals no longer used can be disposed of with the household waste.



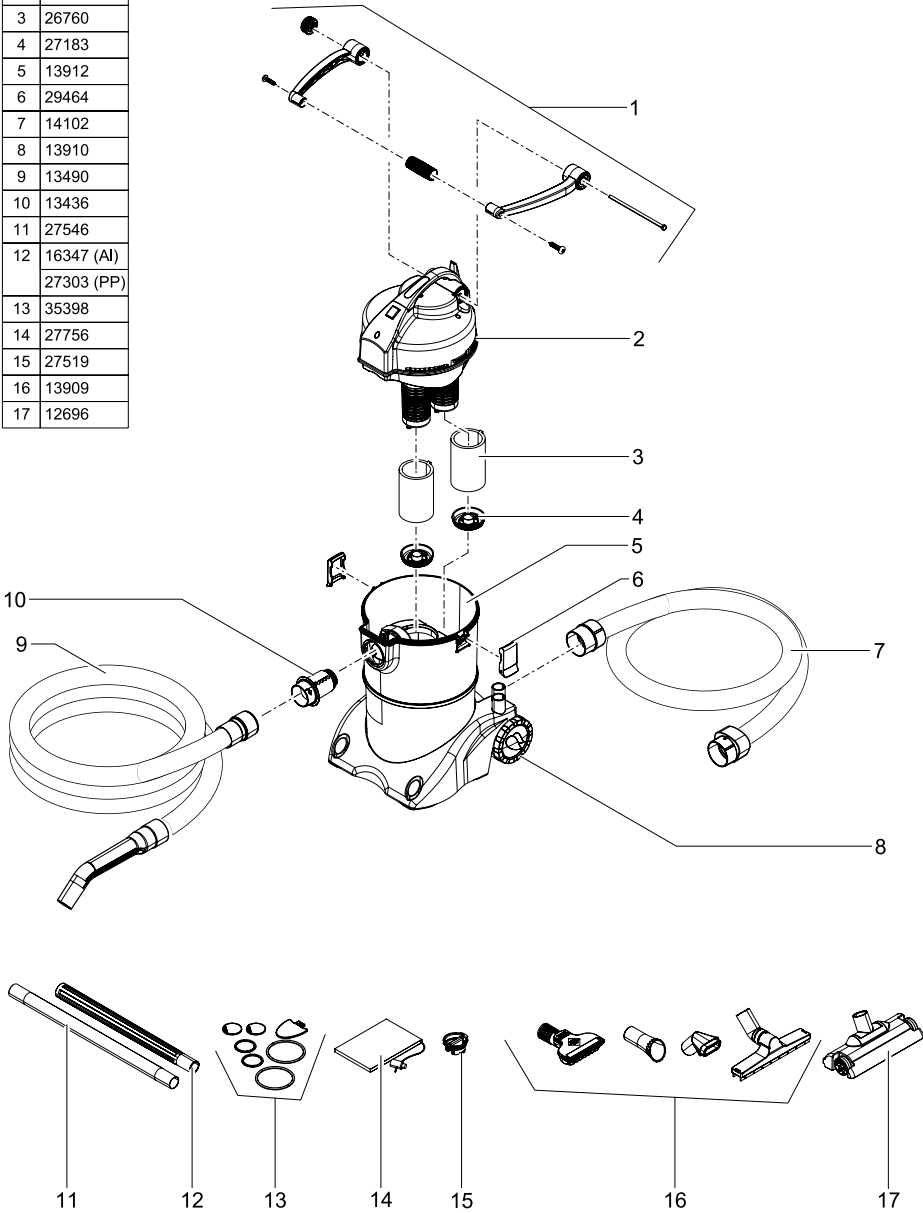
Do not dispose of this unit with domestic waste! For disposal purposes, please use the return system provided. Disable the unit beforehand by cutting off the cables.

Technische Daten

DE	Abmessungen	Bemessungsspannung	Leistungsaufnahme	Lautstärke Betrieb	Saugschlauch	Ablaufschlauch	Kabellänge
GB	Dimensions	Rated voltage	Power consumption	Noise level when in operation	Suction hose	Draining hose	Cable length
FR	Dimensions	Tension de mesure	Consommation	Volume sonore exploitation	Tuyau flexible d'aspiration	Tuyau d'écoulement	Longueur de câble
NL	Afmetingen	Dimensioneringsspanning	Stroomverbruik	Geluidsterkte tijdens werking	Zuigslang	Afvoerslang	Kabelslangte
ES	Dimensiones	Tensión asignada	Consumo de potencia	Volumen acústico durante el funcionamiento	Tubo flexible de aspiración	Tubo flexible de desagüe	Longitud del cable
PT	Dimensões	Voltagem considerada	Consumo de potência	Nível de intensidade, operação	Mangueira de sucção	Mangueira de descarga	Comprimento do cabo
IT	Dimensioni	Tensione di taratura	Potenza assorbita	Livello sonoro durante il funzionamento	Tubo flessibile di aspirazione	Tubo flessibile di scarico	Lunghezza cavo
DK	Dimensioner	Nominal spænding	Strømforbrug	Lydstyrke drift	Sugeslange	Afløbsslange	Ledningslængde
NO	Mål	Mærkespenning	Inngangseffekt	Lydstyrke drift	Sugeslange	Afløpslange	Kabelslangde
SE	Mått	Märkspänning	Effekt	Ljudstyrka drift	Sugslang	Utlöps slang	Kabelslängd
FI	Mitat	Mittolusjännite	Ototeho	Äänen voimakkuus käydessä	Imuleiku	Laskuleiku	Kaapelin pituus
HU	Méreték	Névleges feszültség	Teljesítményfelvétel	Üzemi hangterő	Szívótömlő	Leeresztő tömlő	Kábelhossz
PL	Wymiary	Napięcie znamionowe	Pobór mocy	Poziom hałas u podczasz pracy	Wąż ssący	Wąż odpływ	Długość kabla
CZ	Rozměry	Domezovací napětí	Přiklon	Hládkina hluku provozu	Sací hadice	Odtoková hadice	Délka kabelu
SK	Rožmery	Menovité napätie	Priklon	Hlasnosť pri prevádzke	Sacia hadica	Odtoková hadica	Dĺžka kabla
SI	Dimenzije	Nazivna napetost	Nazivna moč	Jakost hrupa v obratovanju	Sesalna cev	Odvodna cev	Dolžina kabla
HR	Dimenzije	Nazivni napon	Prijemna snaga	Glasnoća za vrijeme rada	Usisno crijevo	Odvodno crijevo	Duljina kabela
RO	Dimensiuni	Tensiunea măsurată	Puțiere consumată	Nivel de zgomot de funcționare	Furtun de aspirare	Furtun de deversare	Lungime cablu
BG	Размери	Номинално напрежение	Консумирана мощност	Ниво на звука при работа	Всмукателен маршуч	Изпускателен маршуч	Дължина на кабелите
UA	Розміри	Номинальна напруга	Споживана потужність	Рівень шуму в режимі роботи	Всмоктувальний шланг	Стичний шланг	Довжина кабелю
RU	Размеры	Номинальное напряжение	Потребляемая мощность	Уровень шума в режиме работы	Всасывающий шланг	Сливной шланг	Длина кабеля
CN	尺寸	设计电压	耗用功率	运行时的音量	抽吸软管	排水软管	电缆长度
	390 mm x 415 mm x 670 mm	AC 230 V / 50 Hz	1700 W	< 85 dB(A)	5 m	2.5 m	4 m

	 IP X4		
DE	Schutz gegen das Eindringen von Spritzwasser	Nicht mit normalem Hausmüll entsorgen!	Achtung! Lesen Sie die Gebrauchsanleitung
GB	Protection against the ingress of splash water	Do not dispose of together with household waste!	Attention! Read the operating instructions
FR	Protection contre la pénétration de projection d'eau	Ne pas recycler dans les ordures ménagères !	Attention ! Lire la notice d'emploi
NL	Beveiliging tegen het binnendringen van spatwater	Niet bij het normale huisvuil doen!	Let op! Lees de gebruiksaanwijzing
ES	Protección contra la entrada de agua salpicante	¡No deseché el equipo en la basura doméstica!	¡Atención! Lea las instrucciones de uso
PT	Protecção contra respingos de água	Não deitar ao lixo doméstico!	Atenção! Leia as instruções de utilização
IT	Protezione contro la penetrazione di spruzzi d'acqua	Non smaltire con normali rifiuti domestici!	Attenzione! Leggete le istruzioni d'uso!
DK	Beskyttelse mod indtrængning af vandsprøjt	Må ikke bortskaffes med det almindelige husholdningsaffald!	OBS! Læs brugsanvisningen
NO	Beskyttelse mot inntrenging av vannsprut	Ikke kast i alminnelig husholdningsavfall!	NB! Les bruksanvisningen
SE	Skydd mot inträngande stänkvatten	Får inte kastas i hushållsopporal	Varning! Läs igenom bruksanvisningen
FI	Suoja roiskeveden sisäänpääsemisen estämiseksi	Älä hävitä laitetta tavallisen talousjätteen kanssa!	Huomio! Lue käyttöohje
HU	Permetviz behatolása elleni védelem	A készülék nem a normál háztartási szeméttel együtt kell megsemmisíteni!	Figyelem! Olvassa el a használati útmutatót
PL	Zabezpieczenie przed wniknięciem pryskającej wody.	Nie wyrzucać wraz ze śmieciami domowymi!	Uwaga! Przeczytać instrukcję użytkowania!
CZ	Ochrana proti pronikání odstřikující vody	Nelikvidovat v normálním komunálním odpadu!	Pozor! Přečtěte Návod k použití!
SK	Ochrana proti prenikaniu odstrekujúcej vody	Nelikvidovať v normálnom komunálnom odpade!	Pozor! Prečítajte si Návod na použitie
SI	Zašèita proti vdoru brizgov vode	Ne zavrzite skupaj z gospodinjskimi odpadki!	Pozor! Preberite navodila za uporabo!
HR	Zaštita protiv prodiranja prskajuće vode	Nemojte ga bacati u običan kućni otpad!	Pažnja! Pročitajte upute za upotrebu!
RO	Protecție împotriva pătrunderii apei prin stropire	Nu aruncați în gunoierul menajer !	Atenție ! Citiți instrucțiunile de utilizare !
BG	Защита срещу навлизане на пръски вода	Не изхвърляйте заедно с обикновения домакински боклук!	Внимание! Прочетете упътването
UA	Захист від потрапляння бризок води	Не викидайте разом із побутовим сміттям!	Увага! Читайте інструкцію.
RU	Защита от проникновения водяных брызг	Не утилизировать вместе с домашним мусором!	Внимание! Прочитайте инструкцию по использованию
CN	防止溅水渗入	不要同普通的家庭垃圾一起丢弃！	注意！ 请阅读使用说明书。

Pondovac 4	
1	13911
2	13442
3	26760
4	27183
5	13912
6	29464
7	14102
8	13910
9	13490
10	13436
11	27546
12	16347 (Al) 27303 (PP)
13	35398
14	27756
15	27519
16	13909
17	12696





OASE GmbH · www.oase-livingwater.com

Tecklenburger Straße 161 · 48477 Hörstel · Postfach 20 69 · 48469 Hörstel · Germany



15797/10-13