

Oase



Vitronic

11 W, 18 W, 24 W, 36 W, 55 W

Operating instructions

Original operating manual.

WARNING

- ▶ Disconnect all electrical units in the water from the power supply before reaching into the water. Otherwise there is a risk of injuries or death by electrocution.
 - ▶ This unit can be used by children aged 8 and above and by persons with reduced physical, sensory or mental capabilities or lack of experience and knowledge if they are supervised or have been instructed on how to use the unit in a safe way and they understand the hazards involved. Do not allow children to play with the unit. Only allow children to carry out cleaning and user maintenance under supervision.
-

EN

Safety information

Electrical connection

- Special regulations apply to electrical installation in outdoor areas. Only allow a qualified electrician to perform the electrical installation.
 - The qualified electrician has the required professional training, knowledge and skills to perform electrical installations in outdoor areas. The qualified electrician can detect potential risks and adheres to regional and national standards, regulations and directives.
 - For your own safety, please consult a qualified electrician.
- Only connect the unit if the electrical data of the unit and the power supply match.
- Only plug the unit into a correctly installed outlet. Ensure that the unit is fused for a rated fault current of max. 30 mA by means of a fault current protection device.
- Extension cables and power distributors (e.g. outlet strips) must be suitable for outdoor use (splash-proof).
- Protect open plugs and sockets from moisture.

Safe operation

- Do not use the unit, if electrical lines or the housing are damaged.
- A damaged connection cable cannot be replaced. Dispose of the unit.
- Do not carry or pull the unit by its power cable.
- Route lines so that they are protected from damage and nobody can trip over them.
- Never make technical modifications to the unit.
- Only carry out work on the unit that is described in this manual.
- Only use original spare parts and accessories.

Intended use

Only use the product described in this manual as follows:

- For cleaning garden ponds.
- For operation with clean water.
- Operate the product in compliance with the technical data. (→ Technical data)

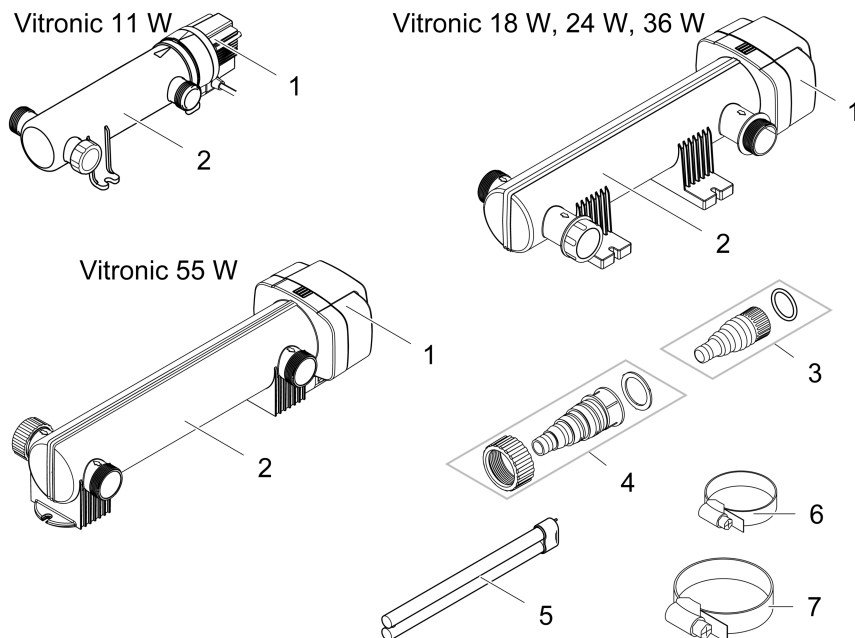
The following restrictions apply to the unit:

- This product is not suitable for general lighting, but is only intended for the purpose described here.
- Never operate the UVC lamp outside the casing or use it for any other purpose. The UVC radiation is harmful to the eyes and skin even in small doses.
- Do not use for commercial or industrial purposes.
- Never run the unit without water.
- Never use the unit with fluids other than water.
- Not to be used for sterilizing drinking water or other fluids.
- Do not use in conjunction with chemicals, foodstuff, easily flammable or explosive substances.

Product description

Scope of delivery

EN



VTC0001

Vitronic	11 W	18 W, 24 W, 36 W, 55 W
Description	Quantity	Quantity
1 Unit head	1	1
2 Casing	1	1
3 Transparent stepped hose adapter with O-ring • For hose diameter 19 ... 38 mm	2	-
4 Transparent stepped hose adapter with union nut and flat seal • For hose diameter 25 ... 38 mm	-	2
5 UVC lamp • Vitronic 11 W: pre-installed at factory	-	1
6 Hose clip 20 ... 32 mm	-	2
7 Hose clip 35 ... 50 mm	-	2

Properties

The UV radiation of the UVC clarifier removes suspended algae, bacteria and germs. The UVC clarifier is integrated in the water circuit, ideally upstream of a pond filter.

Symbols on the unit

IP 24

The unit is protected against splash water and against contact with dangerous components.



Dangerous UVC radiation.



Protect the unit from direct sunlight.



The lamp is suitable for direct fastening to normally flammable mounting surfaces.



Protect the unit from freezing temperatures.



Do not dispose of the unit with normal household waste.



Read the operating instructions.

Installation and connection

Vitronic 11 W

- It is not necessary to remove the unit head in order to fasten the casing on the ground.
- The UVC lamp has been pre-installed at the factory.

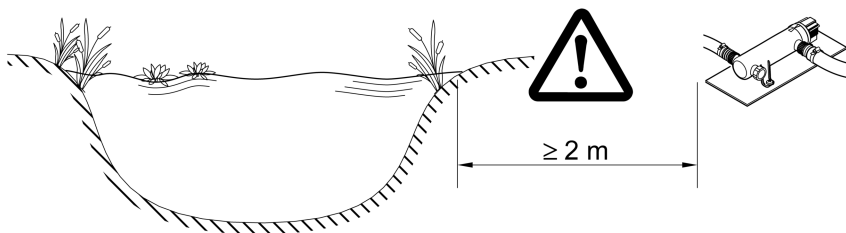
Vitronic 18 W, 24 W, 36 W, 55 W

- It is necessary to remove the unit head before fastening the casing on the ground. (→ Dismantling the unit head)
- The UVC lamp was not pre-installed at the factory. Insert the UVC lamp in the unit head before reinstalling the unit head. (→ Cleaning the quartz glass / Replacing the UVC lamp)

Installing the unit

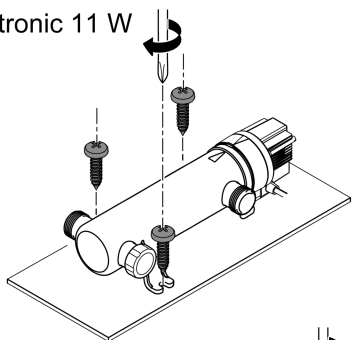
- Install the unit at least 2 m from the edge of the pond.
- Only install the unit in the permitted positions. This ensures fault-free operation.
- Allow sufficient space for carrying out maintenance work.

EN

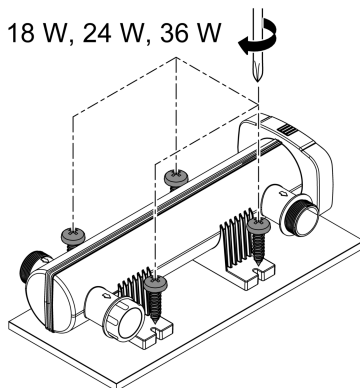


VTC0016

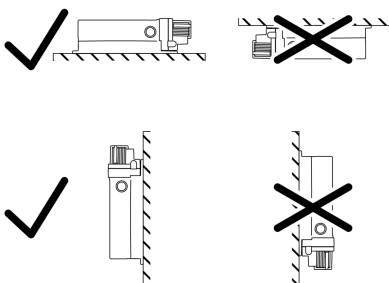
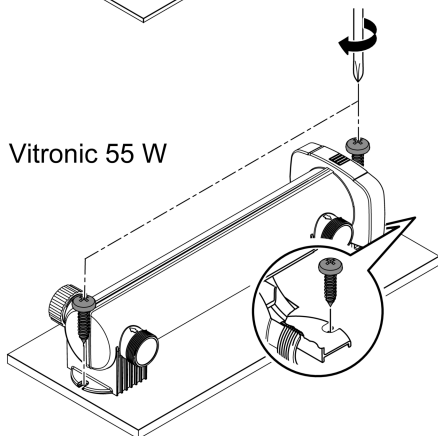
Vitronic 11 W



Vitronic 18 W, 24 W, 36 W



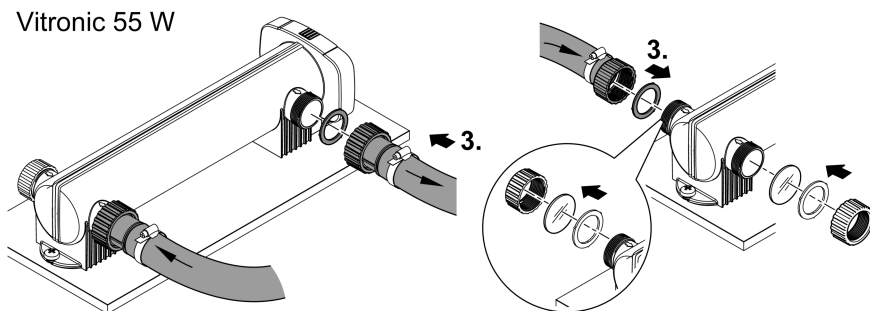
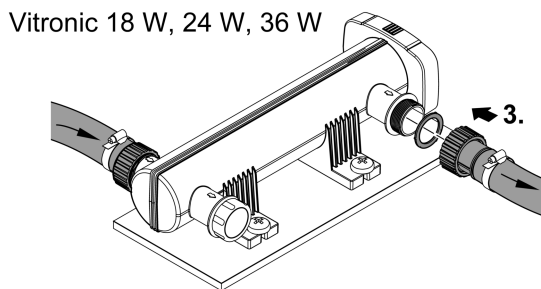
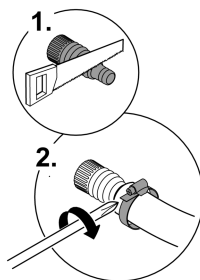
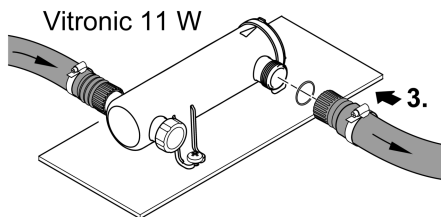
Vitronic 55 W



VTC0006

Establishing the connections

- Use hoses that are suitable for a pressure of at least 1 bar.
- Shorten the stepped hose adapters according to the hose diameter in use.
- Secure the hose with a hose clip.
- Hand-tighten the union nut of the stepped hose adapter.
- Screw the stepped hose adapter with the flat seal or O-ring onto the connection so that the connection is leak-tight.
- You can choose from the two connections arranged opposite each other to ensure that the hose is routed optimally.
 - Use the closing cap to close the connection that is not in use.
 - Vitronic 55 W: The closing cap has an inspection glass for function checks.



VTC0007

Connecting the unit to the flow-through filter.

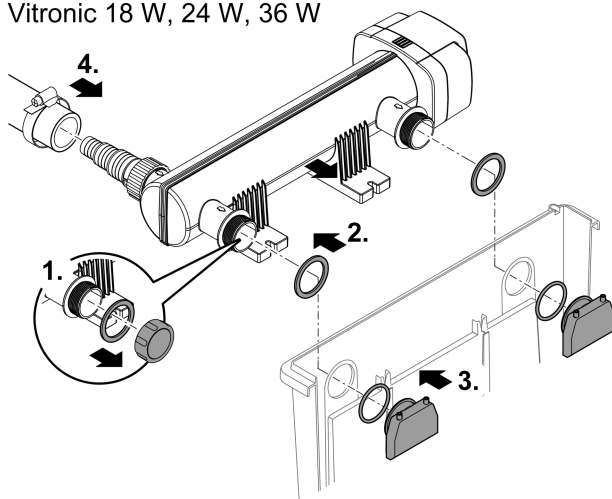
Vitronic 18 W, 24 W, 36 W

The unit is suitable for connection to flow-through filters. Both outlet sockets are screwed to the inlet nozzles on the flow-through filter. Adhere to the instructions for use of the flow-through filter.

How to proceed:

1. Unscrew the closing cap.
2. Guide the two outlet sockets with the flat seal through the two holes in the container wall of the flow-through filter.
3. Screw the inlet nozzle with the O-ring onto the outlet socket and hand-tighten the inlet nozzle.
4. Connect the supply hose to the inlet socket. (→ Establishing the connections)

Vitronic 18 W, 24 W, 36 W



VTC0011

Commissioning/start-up

Start-up sequence:

1. Switch on the pump and wait until the casing of the UVC clarifier is filled with water.
2. Switch on the UVC clarifier.
 - Never run the UVC clarifier without water flowing through.
3. Check the UVC clarifier function.
4. Check all connections for leaks.

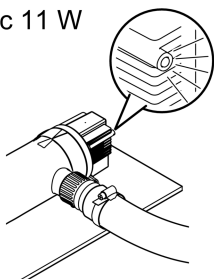
Switching ON/OFF

- **Switching on:** Plug the power plug into the outlet.
 - The unit switches on immediately.
- **Switching off:** Pull the power plug from the outlet.

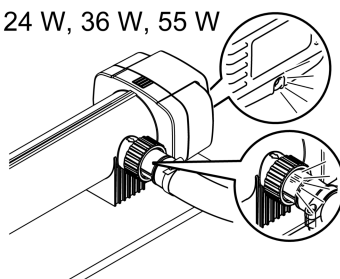
Checking the function

Function check	Vitronic		
	11 W	18 W, 24 W, 36 W	55 W
The function display is lit when the UVC lamp is switched on.	✓	✓	✓
The UV light shines through the transparent stepped hose adapter when the UVC lamp is switched on.	✗	✓	✓
The UV light shines through the closing cap when the UV lamp is switched on.	✗	✗	✓

Vitronic 11 W



Vitronic 18 W, 24 W, 36 W, 55 W



VTC0010

Maintenance and cleaning

NOTE

Do not use aggressive cleaning agents or chemical solutions. These agents can damage the housing, impair the function of the device and harm animals, plants and the environment.

► Only clean the unit from the outside with clear water and a soft brush.

- Recommended cleaning agent for removing stubborn limescale deposits:
 - Pump cleaning agent PumpClean from OASE.
 - Vinegar- and chlorine-free household cleaning agent.

Dismantling the unit head

⚠ CAUTION

The ultra-violet radiation of the UVC lamp can burn your eyes and skin.

- ▶ Never operate the UVC lamp outside out the casing or in a damaged casing.
- ▶ Disconnect the unit from the power grid before starting any maintenance work or before replacing the UVC lamp.

⚠ CAUTION

The quartz glass and UVC lamp could break and cause cuts.

- ▶ Act with caution when performing work on the UVC clarifier in order to avoid cuts.
- ▶ Avoid shocks, impacts and abrupt movements to prevent the glass from breaking.

- ⓘ For safety reasons, the UVC lamp can only be turned on when the UVC clarifier is properly installed in the unit.

Vitronic 11 W

How to proceed:

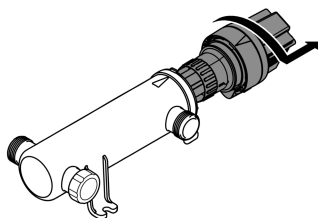
- Turn the unit head counter-clockwise up to the stop and carefully pull it out of the casing together with the O ring.

Vitronic 18 W, 24 W, 36 W, 55 W

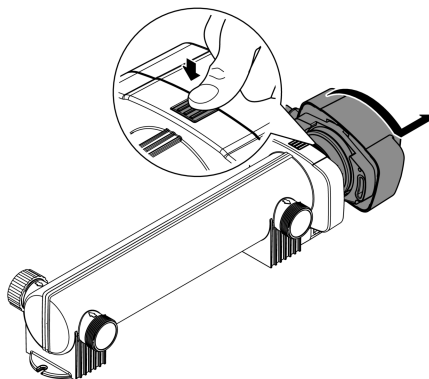
How to proceed:

- Push down the snap-fit hook, then turn the unit head counter-clockwise up to the stop and carefully pull the unit head out of the casing.

Vitronic 11 W



Vitronic 18 W, 24 W, 36 W, 55 W



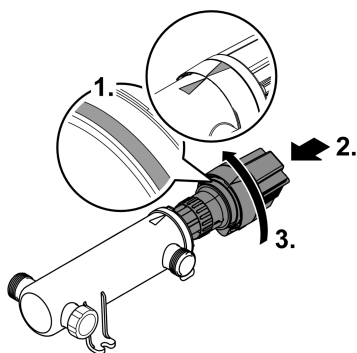
VTC0003

Fitting the unit head

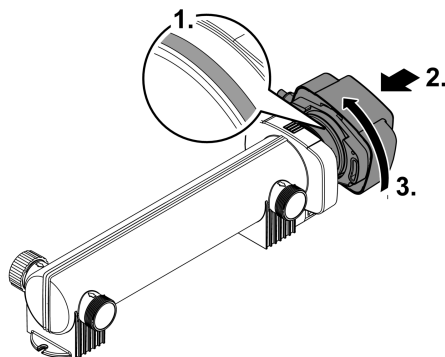
How to proceed:

1. Check the O-ring on the unit head for correct fit.
 - Clean the O-ring, replace it if it is damaged.
2. Carefully push the unit head into the casing up to the stop while applying slight pressure.
 - While doing so, slightly turn the unit head to ensure that the tenons and the grooves of the bayonet closure mesh.
3. Turn the unit head clockwise up to the stop.

Vitronic 11 W



Vitronic 18 W, 24 W, 36 W, 55 W



VTC0005

Cleaning the quartz glass / Replacing the UVC lamp

Replace the UVC lamp after no more than 8000 operating hours. With constant operation, this corresponds approximately to one pond season. This ensures optimum filtering performance.

CAUTION

The quartz glass and UVC lamp could break and cause cuts.

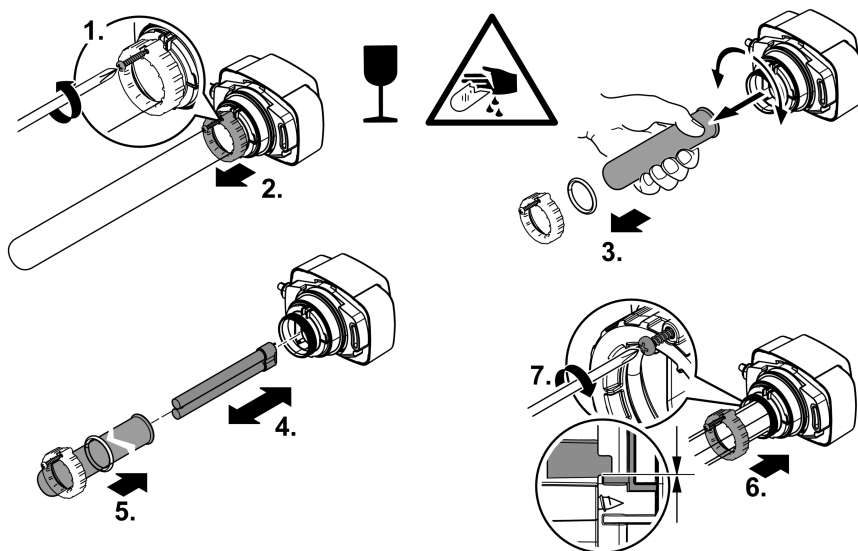
- ▶ Act with caution when performing work on the UVC clarifier in order to avoid cuts.
- ▶ Avoid shocks, impacts and abrupt movements to prevent the glass from breaking.

Prerequisite

- The unit head is removed. (→ Dismantling the unit head)
- Only use UVC lamps, the identification and power data of which correspond to the information on the type plate. (→ Technical data)

How to proceed:

- Loosen the self-tapping screw until the the screw tip is sunk into the casing of the clamping screw.
- Carefully remove the quartz glass by pulling it forward with a slight turning movement.
- Carefully push the quartz glass with the O-ring as far as the stop in the unit head during installation.
 - Ensure that the O ring is located in the gap between the unit head and the quartz glass.
- Tighten the clamping screw up to the stop.
- Wipe the quartz glass with a damp cloth to remove dirt and fingerprints.



VTC0008

Storage/overwintering

The unit is not frost-proof and has to be removed and put into storage if freezing temperatures are expected.

How to correctly store the unit:

- Thoroughly clean the unit and replace damaged components.
- Store the unit in a dry and frost-free place.

Troubleshooting

Malfunction	Possible cause	Remedy
The performance of the unit is not satisfactory	The water is extremely soiled	Remove algae and leaves from the pond Replace the water in the pond
	The quartz glass is soiled	Clean the quartz glass
	The UVC lamp has lost its filter effect	Replace the UVC lamp. The filter effect is exhausted after 8000 operating hours.
	The flow rate is too high	Reduce the pump output
The UVC lamp does not light up	The power plug is not connected	Plug the power plug into the outlet
	The UVC lamp is defective	Replace the UVC lamp
	The power connection is defective	Check the electrical connection
	Vitronic 55 W: The UVC clarifier has shut down due to overheating	The UVC clarifier will automatically switch on again once it has cooled down

Technical data

Description			Vitronic				
			11 W	18 W	24 W	36 W	55 W
Connection voltage	V AC		220 ... 240	220 ... 240	220 ... 240	220 ... 240	220 ... 240
Mains frequency	Hz		50/60	50/60	50/60	50/60	50/60
Power consumption	W		14	18	24	36	55
Length of power cable	m		5	5	5	5	5
Protection type			IP24	IP24	IP24	IP24	IP24
UVC lamp	Type		11 W TC-S (UV-C)	18 W TC-S (UV-C)	24 W TC-S (UV-C)	36 W TC-S (UV-C)	55 W TC-S (UV-C)
Flow rate	Max.	l/h	1700	3500	4500	6000	8500
Operating pressure	Max.	bar	0.5	0.6	0.6	0.6	0.6
Connections			3 × G1	3 × G1½	3 × G1½	3 × G1½	3 × G1½
Hose diameter		mm	19, 25, 32, 38	25, 32, 38	25, 32, 38	25, 32, 38	25, 32, 38
Suitable for max. pond volume	Without fish population	m ³	10.0	20.0	25.0	40.0	60.0
	With fish population	m ³	5.0	10.0	12.5	20.0	30.0
	Including koi carp	m ³	2.5	5.0	6.5	10.0	15.0
Dimensions	Length	mm	330	529	529	529	660
	Width	mm	120	186	186	186	155
	Height	mm	100	130	130	130	130
Weight		kg	1.3	2.1	2.3	2.3	2.3

Permissible water values

Type		Fresh water, pond wa- ter	Pool water
pH value		6.8 ... 8.5	7.2 ... 8.3
Hardness	DH	8 ... 15	8 ... 15
Free chlorine	mg/l	<0.3	<0.6
Chloride content	mg/l	<250	<250
Salt content	%	<0.4	<0.4
Overall dry residue	mg/l	<50	<50
Temperature	°C	+4 ... +35	+4 ... +30

Wear parts

- UVC lamp, quartz glass and O-ring for quartz glass

Disposal

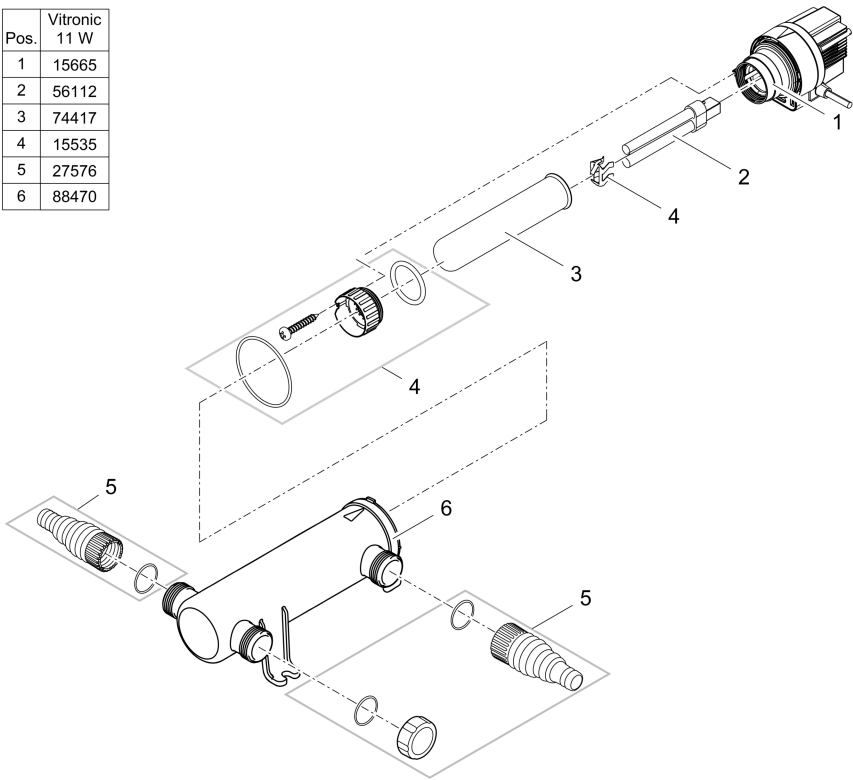
NOTE



Do not dispose of this unit with household waste.

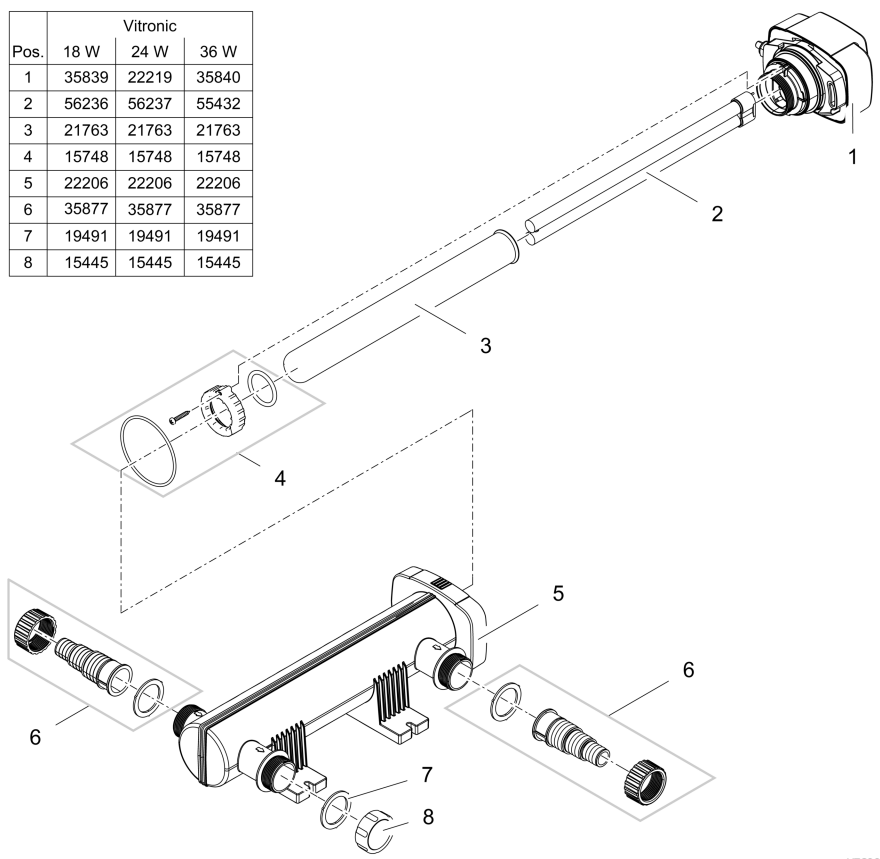
- ▶ Dispose of the UVC lamp and the unit by using the return system provided for this purpose.
- ▶ Render the unit unusable by cutting the cables.

Pos.	Vitronic 11 W
1	15665
2	56112
3	74417
4	15535
5	27576
6	88470



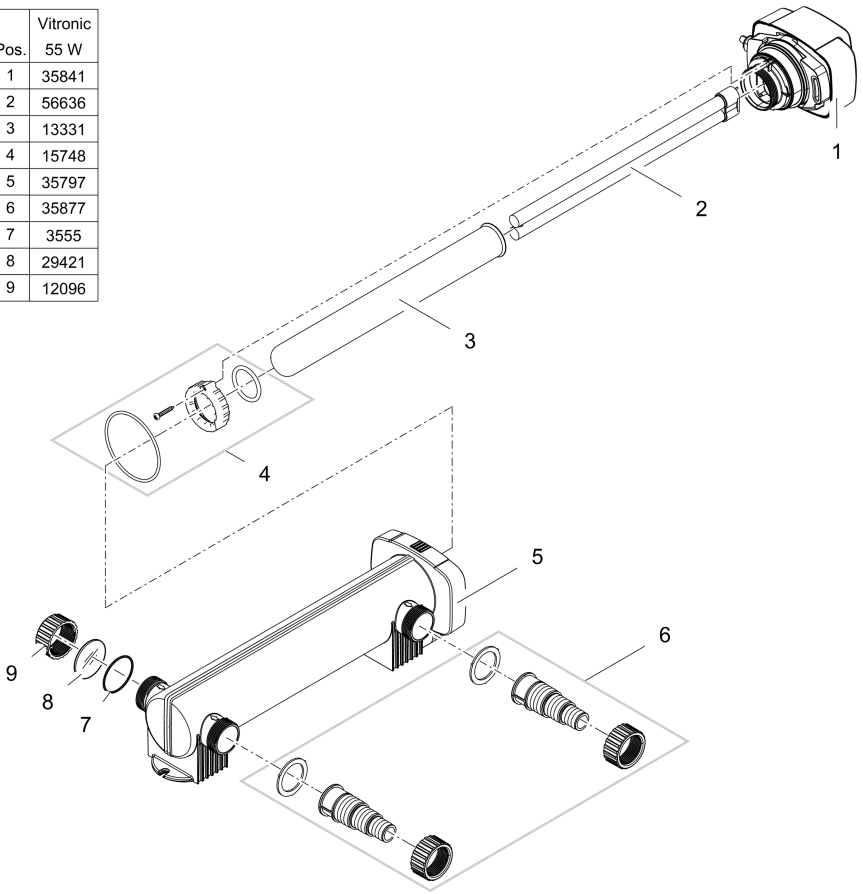
VTC0014

Pos.	Vitronic		
	18 W	24 W	36 W
1	35839	22219	35840
2	56236	56237	55432
3	21763	21763	21763
4	15748	15748	15748
5	22206	22206	22206
6	35877	35877	35877
7	19491	19491	19491
8	15445	15445	15445



VTC0012

Pos.	Vitronic
1	35841
2	56636
3	13331
4	15748
5	35797
6	35877
7	3555
8	29421
9	12096



VTC0013

OASE GmbH

Tecklenburger Straße 161
48477 Hörstel, Germany

☎ +49 (0) 5454 80-0

📠 +49 (0) 5454 80-9353

✉ info@oase.com

