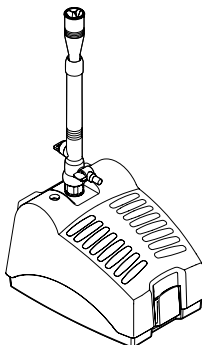




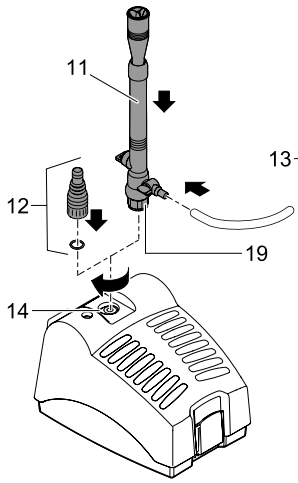
DE	Gebrauchsanleitung
GB	Operating instructions
FR	Notice d'emploi
NL	Gebruiksaanwijzing
ES	Instrucciones de uso
PT	Instruções de uso
IT	Istruzioni d'uso
DK	Brugsanvisning
NO	Bruksanvisning
SE	Bruksanvisning
FI	Käyttöohje
HU	Használati útmutató
PL	Instrukcja użytkowania
CZ	Návod k použití
SK	Návod na použitie
SI	Navodila za uporabo
HR	Uputa o upotrebi
RO	Instrucțiuni de folosință
BG	Упътване за употреба
UA	Посібник з експлуатації
RU	Руководство по эксплуатации
CN	使用说明书

# PondoReli

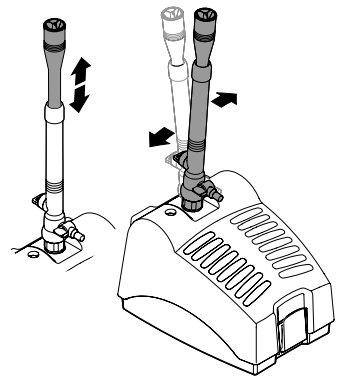
3000



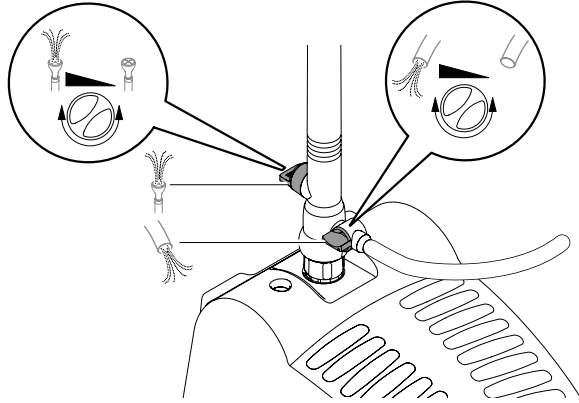
(A)



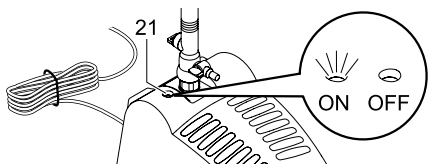
(B)



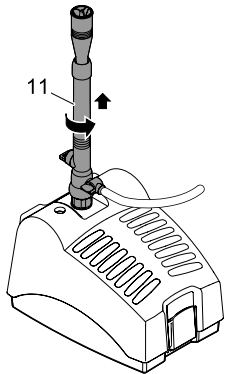
(C)



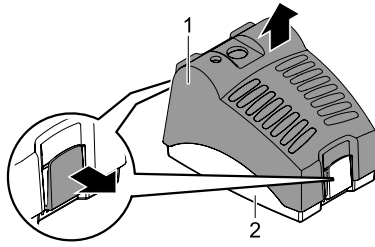
(D)



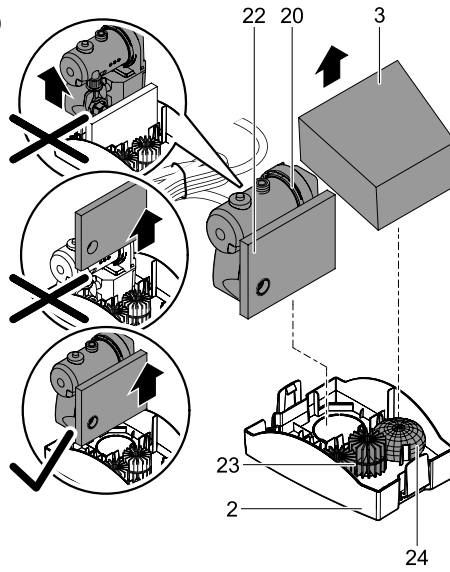
(E)

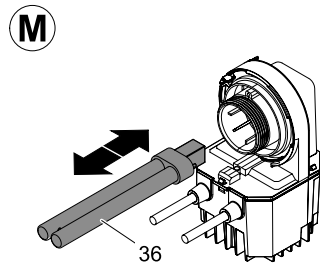
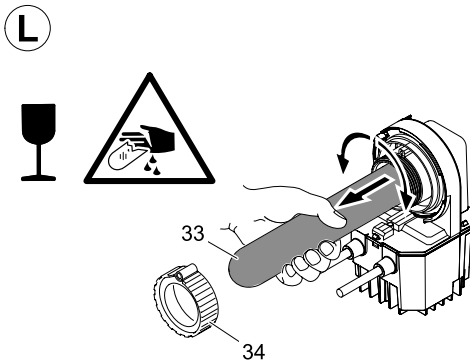
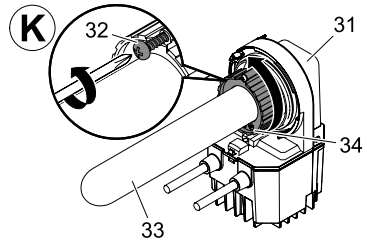
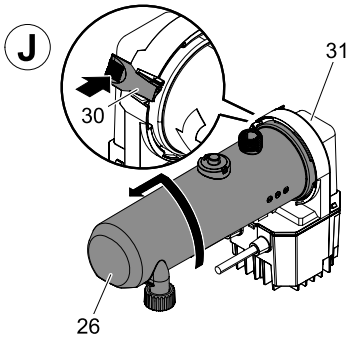
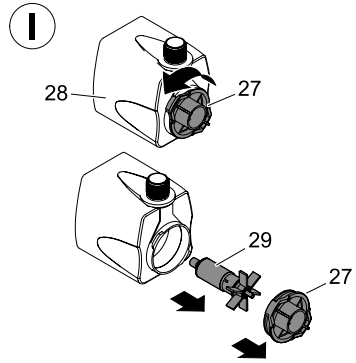
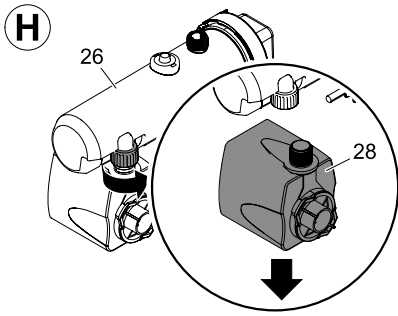


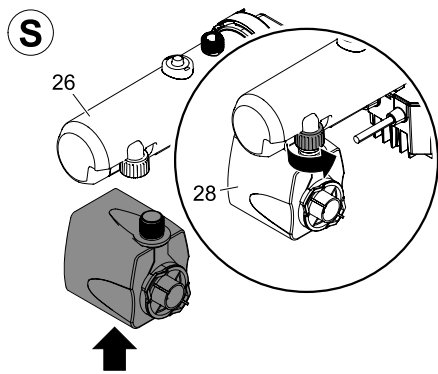
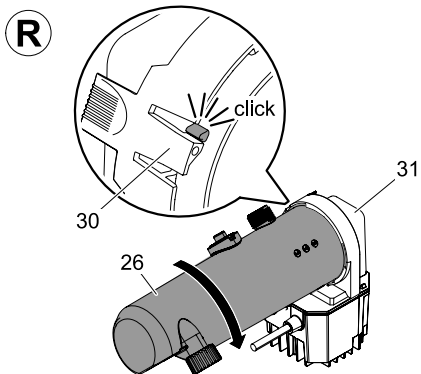
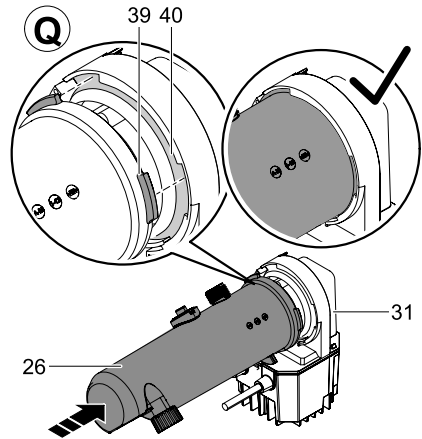
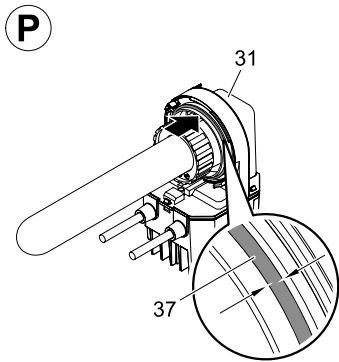
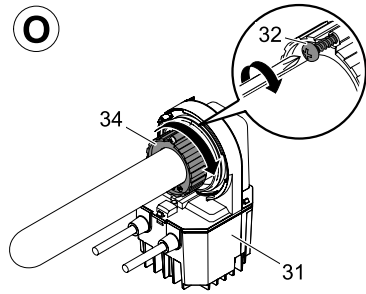
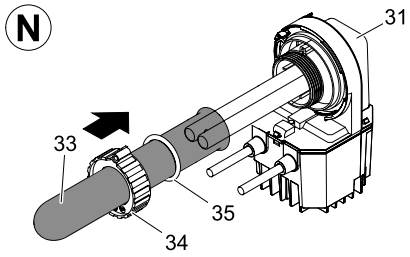
F



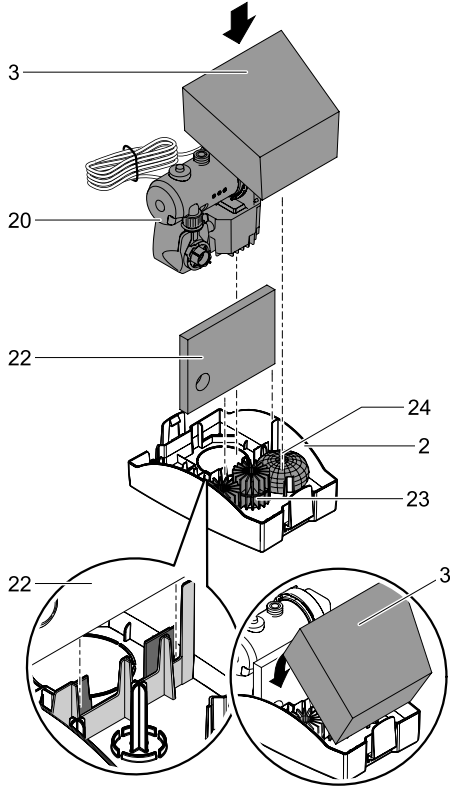
G



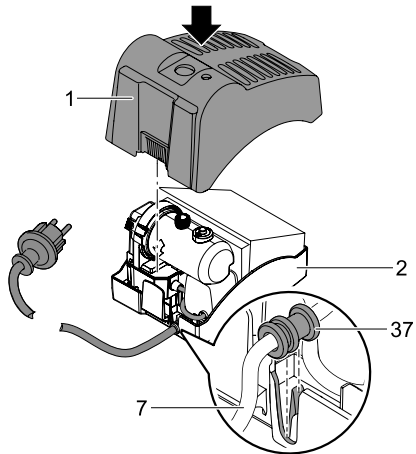




Ⓣ



Ⓤ



## Translation of the original Operating Instructions

### Information about these operating instructions

You made a good choice with the purchase of the product **PondoReil 3000**.

Prior to commissioning the unit, please read the instructions of use carefully and fully familiarise yourself with the unit. Ensure that all work with this unit is only carried out in accordance with these instructions.

Adhere to the safety information for the correct and safe use of the unit.

Keep these instructions in a safe place! Please also hand over the instructions when passing the unit on to a new owner.

### Symbols used in these instructions

The symbols used in this operating manual have the following meanings:



#### Risk of injury to persons due to dangerous electrical voltage

This symbol indicates an imminent danger, which can lead to death or severe injuries if the appropriate measures are not taken.



#### Risk of personal injury caused by a general source of danger

This symbol indicates an imminent danger, which can lead to death or severe injuries if the appropriate measures are not taken.



Important information for trouble-free operation.

### Intended use

PondoReil 3000, in the following termed "unit", and all other parts from the delivery scope may be used exclusively as follows:

- For cleaning garden ponds.
- For operation with clean water.
- Operation under observance of the technical data.

The UVC lamp installed in the unit is intended to kill algae and bacteria in the pond water. Even in small doses, its radiation is harmful for eyes and skin. Never use the UVC lamp in a defective housing or outside the housing, or any other purpose other than that intended.

The following restrictions apply to the unit:

- Do not use in swimming ponds.
- Never use the unit to convey fluids other than water.
- Never run the unit without water.
- Do not use for commercial or industrial purposes.
- Do not use in conjunction with chemicals, foodstuff, easily flammable or explosive substances.

### Safety information

The company **PfG** has built this unit according to the state of the art and the valid safety regulations. Despite the above, hazards for persons and assets can emanate from this unit if it is used in an improper manner or not in accordance with its intended use, or if the safety instructions are ignored.

**For safety reasons, children and young persons under 16 years of age as well as persons who cannot recognise possible danger or who are not familiar with these operating instructions, are not permitted to use the unit. Keep children under supervision to ensure that they do not play with the unit.**

#### Hazards encountered by the combination of water and electricity

- The combination of water and electricity can lead to death or severe injury from electrocution, if the unit is incorrectly connected or misused.
- Prior to reaching into the water, always switch off the mains voltage to all units used in the water.

#### Correct electrical installation

- Electrical installations must meet the national regulations and may only be carried out by a qualified electrician.
- A person is regarded as a qualified electrician, if, due to his/her vocational education, knowledge and experience, he or she is capable of and authorised to judge and carry out the work commissioned to him/her. Working as a qualified person also includes the recognition of possible hazards and the adherence to the pertinent regional and national standards, rules and regulations.
- For your own safety, please consult a qualified electrician.
- The unit may only be connected when the electrical data of the unit and the power supply coincide. The unit data is to be found on the unit type plate or on the packaging, or in this manual.
- Ensure that the unit is fused for a rated fault current of max. 30 mA by means of a fault current protection device.

**GB**

- Extension cables and power distributors (e.g. outlet strips) must be suitable for outdoor use.
- Ensure that the power connection cable cross section is not smaller than that of the rubber sheath with the identification H05RN-F. Extension cables must meet DIN VDE 0620.
- Protect the plug connections from moisture.
- Only plug the unit into a correctly fitted socket.

**Safe operation**

- Never operate the unit if either the electrical cables or the housing are defective!
- Do not carry or pull the unit by its electrical cable.
- Route all cables such that damage is excluded and nobody can trip over them.
- Never open the unit housing or its attendant components, unless this is explicitly required in the operating instructions.
- Only use original spare parts and accessories for the unit.
- Never carry out technical modifications to the unit.
- Only have repairs carried out by customer service points authorised by PFG.
- Only operate the unit if no persons are in the water!
- Keep the socket and power plug dry.

**Installation**

Figure (A)

Screw either the nozzle tube (11) or the stepped hose adapter with O ring 12x4 (12) onto the connection thread. If you use the nozzle tube, connect the desired fountain nozzle (13) to the connection socket (14). Place the unit in the pond as horizontal as possible on firm, sludge-free ground and ensure that it is completely covered with water at a maximum of 2 meters below the surface of the water.

**Start-up****Attention! Dangerous electrical voltage.****Possible consequences:** Death or severe injury.**Protective measures:**

- Prior to reaching into the water, disconnect the power supply to all units used in the water.
- Disconnect the power plug prior to carrying out work on the unit.

**Attention! Sensitive electrical components.****Possible consequence:** The unit will be destroyed.**Protective measure:** Do not connect the unit to a dimmable power supply.

**Switching on:** Connect power plug to the socket. The unit switches on immediately when the power connection is established.

**Switching off:** Disconnect the power plug.

The indicator lamp (Fig. D, 21) indicates the ON/OFF status of the UVC lamp.

**Maintenance and cleaning****Attention! Dangerous electrical voltage.****Possible consequences:** Death or severe injury.**Protective measures:**

- Prior to reaching into the water, disconnect the power supply to all units used in the water.
- Disconnect the power plug prior to carrying out work on the unit.

**Attention! Ultra-violet radiation.****Possible consequences:** Eye or skin injury from burns.**Protective measures:**

- Never operate the UVC lamp outside its housing.
- Never operate the UVC lamp in a housing that is defective.



**Opening the filter housing and cleaning the different filters (Fig. E-G)**

Unscrew the branch valve (12) and the attachment elements. Pull the clamps on both sides of the bottom strainer casing (2) to the side and lift off the top strainer casing (1). Remove the foam filter (3) and the UVC clarifying unit including pump (20), and the fine foam filters (22), bio surface elements (23) and the gravel bag (24).

Clean the bottom strainer casing (2) and the top strainer casing (1) with clear water using a brush. Wash out foam filters (3, 22), bio-surface elements (23) and the gravel bag (24) under running water. Do not use chemical cleaning agents as they would kill the micro-organisms in the different filter media. At the beginning, this entails a reduced filter capacity.

**Cleaning the pump (Fig. H, I)**

Unscrew pump (28) from the UVC water housing (26). Unscrew the pump lid (27) counter-clockwise (bayonet closure) and remove rotor (29). Clean all components using clean water and a brush. After cleaning the pump, reassemble in the reverse order.

**Opening and cleaning the UVC water housing (Fig. J)****Note!**

A safety switch prevents switching on the UVC lamp as long as the UVC water housing is removed.

The UVC water housing (J, 26) is fastened to the unit head (31) by means of a bayonet closure. Press on the engagement lug (30) at the unit head (31), turn the UVC water housing (26) counter-clockwise and carefully pull it off the unit head (31). Clean the UVC water housing (26) under running water. Check the quartz glass (33) for damage and clean its outer face with a moist cloth.

**Note:** For an optimum filter performance, we recommend to replace the UVC lamp after approx. 8000 operating hours. Refer to 'Replace UVC lamp'.

**Closing the UVC water housing (Fig. P - R):**

Check the O ring (37) at the unit head (31) for damage. Place the O ring (37) on the recess at the unit head (31), then carefully push the UVC water housing (26) on the unit head (31) by applying medium pressure. While doing so, slightly turn the UVC water housing (26) to ensure that the tenons (39) and the grooves (40) of the bayonet closure intermesh. Turn the UVC water housing (26) clockwise against the stop and allow to engage.

**Assembly of the unit (Fig. S-V)**

Bolt the pump (28) to the UVC water housing (26) using the union nut. Insert fine foam filter (22) in the bottom strainer casing (2), place the bio surface elements (23) and the gravel bag (24) in the bottom strainer casing (2). Insert the UVC clarifying unit including the pump (20). Insert the foam filter (3). Attach the top strainer casing (1) and press it onto the bottom strainer casing (2) until the clamps engage in the bottom strainer casing. **Important:** Guide the connection cable (7) through the cable opening at the bottom strainer casing (2) and clip with the cable kink protection in the bottom strainer casing (U, 37).

**UVC lamp replacement (Fig. L-S)****Attention! Breakable glass.**

**Possible consequences:** Injury of your hands caused by cuts.

**Protective measures:** Handle both quartz glass and UVC lamp with care.

**Attention! Ultra-violet radiation.**

**Possible consequences:** Eye or skin injury from burns.

**Protective measures:**

- Never operate the UVC lamp outside its housing.
- Never operate the UVC lamp in a housing that is defective.

- Open the UVC water housing (see "Opening and cleaning the UVC water housing").
- Remove the self-tapping screw (32).
- Unscrew the clamping screw (34) from the unit head (31) by turning counter-clockwise.
- Pull off the quartz glass (33) and the O-ring (35) while slightly turning the unit head (31).
- Pull out the UVC lamp (36) and replace.

**Important:** Only use lamps the identification and capacity data of which correspond to the information on the type plate.

- Check the quartz glass (33) and the O ring (35) for damage.
- Insert the quartz glass (33) including the O ring (35) against the stop in the unit head (31).
- Tighten the clamping screw (34) clockwise up to the stop.
- Turn in and tighten the self-tapping screw (32).
- Close the UVC water housing (see "Closing the UVC water housing").



## Storage/Over-wintering

Remove the unit at temperatures below zero degrees centigrade. Thoroughly clean and check the unit for damage.



Store the unit immersed in water or filled with water in a frost-free place. Do not flood the power plug!

## Wearing parts

The UVC lamp, the different filters and the rotor are wear parts and are excluded from the warranty.

## Disposal



Do not dispose of this unit with domestic waste! For disposal purposes, please use the return system provided. Disable the unit beforehand by cutting off the cables.

Only dispose of the UVC lamp by using the return system provided for this purpose.

## Malfunctions

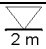





Malfunction	Cause	Remedy
The unit is not operating	No mains voltage	Check mains voltage
Delivery or fountain height insufficient or not consistent, Cloudy water	Flow regulator excessively throttled	Set flow regulator
	Nozzle blocked	Unscrew and clean the nozzle insert
	Excessive pressure losses in the hoses	Reduce hose length and connecting parts to a minimum, route hoses as straight as possible
	Intake openings blocked	Clean housing
	Filters clogged	Clean filters
	Rotor blocked	Clean rotor
	Pond extremely dirty	Remove algae and leaves from the pond, change the water
	Quartz glass tube soiled	Remove UVC clarifying unit and clean the quartz glass tube
UVC lamp does not light up	Lamp overheated. The temperature switch has switched off the lamp	The lamp will automatically switch on again once cooled down
	UVC lamp defective	Replace the UVC lamp
	UVC lamp is not correctly seated in the socket	Correctly insert the UVC lamp into the socket
Unit switches off after a short running period	Water temperature too high	Note maximum water temperature of +35°

## Guarantee conditions

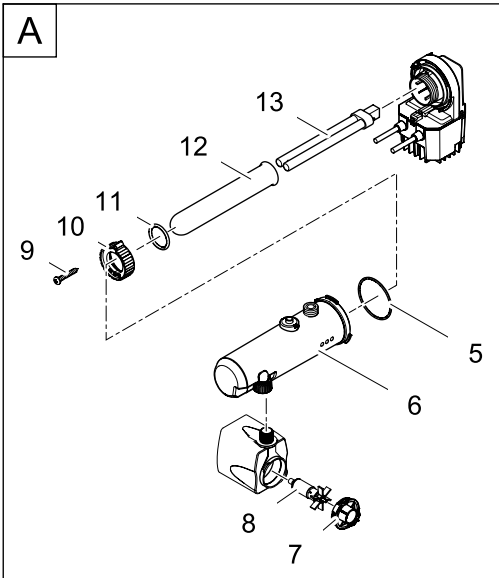
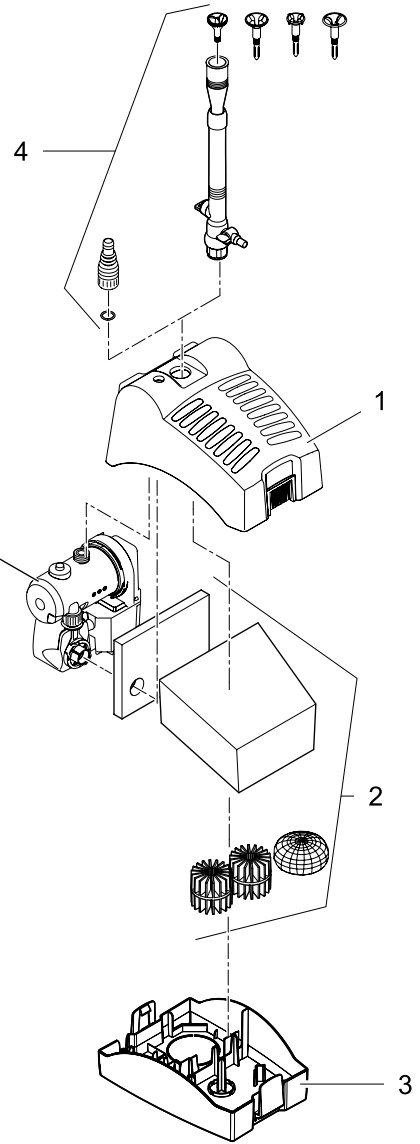
PfG grants a 2 year guarantee from the date of sale on proven material and manufacturing faults. Prerequisite for our guarantee is the presentation of the purchase receipt. Our guarantee will become null and void if the unit is misused, electrically or mechanically damaged by inappropriate use and improper repair by non-authorised workshops. Repairs are reserved for workshops authorised by PfG or by PfG itself. In the case of warranty claims, please return the defective unit or part freight paid to PfG together with a description of the fault and the purchase receipt. PfG reserves the right to invoice repair costs. PfG is not liable for transport damage. Any damage must be claimed against the carrier. Further claims of whatever type, especially consequential damage, are excluded. This guarantee does not affect the final customer's claims against the dealer.

## Technische Daten

DE	Abmessungen	Gewicht	Bemessungsspannung	Leistungs- aufnahme	UVC-Lampe	Anschluss Duckseite Connection, pressure side	Max. Wasser- säule Max. head height	Filterfläche	Teichgröße mit Fischbesatz	Wassertemperatur
GB	Dimensions	Weight	Rated voltage	Power consump- tion	UVC lamp	Connection, pressure side	Max. head height	Filter surface	Pond size with fish population	Water temperature
FR	Dimensions	Poids	Tension de mesure	Puissance absorbée	Lampe UVC	Raccord côté pression	Colonne d'eau	Enveloppe filtrante	Dimension de bassin sans population	Température de l'eau
NL	Afmetingen	Gewicht	Dimensioneringsspanning	Vermogens- opname	UVC-lamp	Aansluiting drukzijde	Waterkolom	Filtrooppervlakte in m <sup>2</sup>	Grootte vijver met zandafvalstand	Wattentemperatuur
ES	Dimensiones	Peso	Tensión asignada	Consumo de potencia	Lámpara UVC	Conexión lado de presión	Columna de agua	Superficie de filtro	Tamaño del estanque con peces	Temperatura del agua
PT	Dimensões	Peso	Voltagem dimensionada	Potência absorvida	Lâmpada UVC	Conexão lado de pressão	Coluna de água	Superfície do filtro	Capacidade tanque sem peixes	Temperatura da água
IT	Dimensioni	Peso	Tensione di misurazione	Potenza assorbita	Lampada UVC	Collegamento lato mandata	Colonna d'acqua	Superficie filtro	Grandezza laghetti senza pesci	Temperatura dell'acqua
DK	Dimensioner	Vægt	Netspænding	Effektforbrug	UVC-pære	Tilslutning trykside	Transportkapacitet	Filterflade	Dæmnens størrelse, uden fiskebestand	Vandtemperaturen
NO	Mål	Vekt	Merkespenning	Effektforbruk	UV-lampe	Tilkobling tryksiden	Kapasitet	Filterflate	Dæmstørrelse med fiskebestand	Vanntemperatur
SE	Mått	Vikt	övre måkspänning	Effekt	UVC-lampa	Anslutning på tryksidan	Månings prestanda	Filterytan	Dæmnens volym fiskebestand	Vattentemperatur
FI	Mittit	Paino	Nimellisännite	Ototehlo	UVC-lamppu	Painopuolen tryksivä	Syöttöteho	Suodatuspintä	Dæmnens koko (med fisk)	Veden lämpötila
HU	Méreték	Súly	mért feszültség	Teljesítmény- felvétel	UVC-lampa	Nyomóoldali csatlakozás	Szállítási teljesítmény	Szűrőfelület	Dæmnis nagysága halállomány nélkül	Víz hőmérséklet
PL	Wymiary	Ciężar	Napięcie znamionowe	Pobór mocy	Lampa ultraviolet- owa	Prizłączenie strona ciśnieniowa	Wydatność pomiarowa	Powierzchnia filtracyjna	Wielkość stawu z zarybieniem	Temperatura wody
CZ	Rozměry	Hmotnost	Domezovací napětí	Příkon	UVC zářivka	Připojka strana výtlačku	Dopravní výkon	Plocha filtru	Velikost jezírka bez rybi obsady	Teplota vody
SK	Rozmery	Hmotnosť	dimenzačné napätie	Prikon	UVC žiarivka	Pripojka strana výtlačku	Dopravný výkon	Plocha filtru	Velkosť jazierka bez obsady ryb	Teplota vody
SI	Dimenzije	Teža	dimenzionirana napetost	Poraba moči	UVC-žarnica	Priključek na tlačni strani	Črpalna zmogljivost	Filtriška površina	Velikost ribnika z ribjo sadržajem	Temperatura vode
HR	Dimenzije	Masa	90% nazivni napon	Potrošnja energije	UVC-žarulja	Priključak na površini strani	Potrošnja kapacitet	Površina filtra	Veličina jezera bez riba	Temperatura vode
RO	Dimensiuni	Masă	Tensiunea măsurată	Putere consum- mată	Lampă cu ultraviolete	Conexiune pe retură	Debit de pompare	Suprafața filtrului	Dimensiunea laizului fără populație piscicolă	Temperatura apei
BG	Размери	Тегло	Номинално напрежение	Потребявана мощност	UVC - лампа	Връзка напорна страна	Дебит	Площ на филтъра	Размер на водния басейн с вода	Температурата на водата
UA	Розміри	Вага	розрахункова напруга	Споживана електроенергія	Ультравіолетова лампа	Під'єднання напорної сторони	Продуктивність	Площа фільтру	Величина басейна без риби	Температура води
RU	Размеры	Вес	расчетное напряжение	Потребляемая мощности	Коротковолновая уф-лампа	Подключение напорной стороны	Пропускательность	Площадь фильтра	Размер пруда при отсутствии рыб	Температура воды
CN	尺寸	重量	额定电压	功耗	紫外线灯管	非水侧 的接口	输送能力	过滤面积	未养鱼的 池塘面积	水温
Pondrell 3000 UVC	250 x 185 x 160 mm	3.3 kg	~ 230 V, 50 Hz	20 W	7 WTC-S (UVC)	1/2"	600 l/h	232 cm <sup>2</sup>	5 x 3.0 m <sup>2</sup>	+4 ... +35 °C

	<b>IP 68</b>  2 m					
<b>DE</b>	Staubdicht. Wasserdicht bis 2 m Tiefe.	Achtung! Gefährliche UVC-Strahlung!	Bei Frost, das Gerät deinstallieren!	Zerbrechlich, mit Vorsicht behandeln! Achtung! Gefahr von Schnittverletzungen.	Nicht mit normalem Hausmüll entsorgen!	Achtung! Lesen Sie die Gebrauchsanleitung
<b>GB</b>	Dust tight. Submersible to 2 m depth.	Attention! Dangerous UVC radiation!	Remove the unit at temperatures below zero (centigrade).	Breakable, handle with care. Attention! Risk of injury from cuts.	Do not dispose of together with household waste!	Attention! Read the operating instructions
<b>FR</b>	Imperméable aux poussières. Étanche à l'eau jusqu'à une profondeur de 2 m.	Attention ! Rayonnement UVC dangereux !	Retirer l'appareil en cas de gel	Fragile, manipuler avec précaution. Attention ! Danger de coupures.	Ne pas recycler dans les ordures ménagères !	Attention ! Lire la notice d'emploi
<b>NL</b>	Stofdicht. Waterdicht tot een diepte van 2 m.	Let op! Gevaarlijke UVC-straling!	Bij vorst het apparaat deinstalleren!	Breekbaar, voorzichtig behandelen Let op! Gevaar voor snijwonden	Niet bij het normale huishuifl doen!	Let op! Lees de gebruiksaanwijzing
<b>ES</b>	A prueba de polvo. Impermeable al agua hasta 2 m de profundidad.	¡Atención! Radiación UVC peligrosa.	Desinstale el equipo en caso de heladas.	Frágil, trate con cuidado. ¡Atención! Peligro de lesiones de corte.	¡No deseché el equipo en la basura doméstica!	¡Atención! Lea las instrucciones de uso
<b>PT</b>	A prova de pó. À prova de água até 2 m de profundidade.	Atençaõ! Radiação UVC perigosa!	Em caso de geada, desinstalar o aparelho!	Quebradio, tratar com cuidado. Atençaõ! Risco de lesões de corte.	Não deitar ao lixo doméstico!	Atençaõ! Leia as instruções de utilização
<b>IT</b>	A tenuta di polvere. Impermeabile all'acqua fino a 2 m di profondità.	Attenzione! Pericolosa radiazione UVC!	In caso di gelo disinstallare l'apparecchio!	Fragile, trattare con cautela. Attenzione! Pericolo di lesioni da taglio.	Non smaltire con normali rifiuti domestici!	Attenzione! Leggete le istruzioni d'uso!
<b>DK</b>	Støvæt. Vandtæt ned til 2 m dybde.	Fare! Farlig UVC-stråling!	Åfmonter apparatet ved frostvejr!	Skrobelig, behandles forsigtigt. OBS! Risiko for snitsår.	Må ikke bortskaffes med det almindelige husholdningsaffald	OBS! Læs brugsanvisningen
<b>NO</b>	Støvett. Vanntett ned til 2 m dyp.	NB! Farlig UV-stråling!	Ved frost, demonter apparatet!	Skjort glass, må behandles forsiktig. Forsiktig! Fare for kuttskader.	Ikke kast i alminnelig husholdningsavfall!	NB! Les bruksanvisningen
<b>SE</b>	Dammtät. Vattentät till 2 m djup.	Varning! Farlig UVC-strålning!	Demontera apparaten innan första frostent!	Bräckligt! Hanteras varsamt. Varning! Risk för skärskador.	Får inte kastas i hushållsoporna!	Varning! Läs igenom bruksanvisningen
<b>FI</b>	Pölytiivis. Vesitiivis 2 m syvyyteen asti	Huomio! Vaarallinen UVC-säteily!	Laite on purettava ennen pakkasia.	Särkyvä, käsiteltävä varoen. Huomio! Vilttohaavan vaara.	Älä hävität laitetta tavallisen talousjätteen kanssa!	Huomio! Lue käyttöohje
<b>HU</b>	Portómítet. Vizálól 2 m-es mélységig.	Figyelem! Veszélyes UVC-sugárzás!	Fagy esetén a készüléket le kell szerelni!	Törékeny, óvatosan kezelje. Figyelem! Vágási sérülések veszélye.	A készüléket nem a normál háztartási szeméttel együtt kell megsemmisíteni!	Figyelem! Olvassa el a használati útmutatót
<b>PL</b>	Pyłoszczelny. Wodoszczelny do 2 m głębokości.	Uwaga! Niebezpieczne promieniowanie ultrafioletowe!	W razie mrozu zdeinstalować urządzenie!	Łamiwle, postępować ostrożnie. Uwaga! Niebezpieczeństwo vzniku rezných poranení.	Nie wyrzucać wraz ze śmieciai domowymi!	Uwaga! Przeczytaj instrukcję użytkowania!
<b>CZ</b>	Prachotěsný. Vodotěsný do hloubky 2 m.	Pozor! Nebezpečné ultrafialové záření.	Při mrazu přístroj odinstalovat!	Křehké, dbejte opatrnosti. Pozor! Nebezpečí rezných zranění.	Nelikvidovat v normálním komunálním odpadu!	Pozor! Přečtete Návod k použití!
<b>SK</b>	Prachotěsný. Vodotěsný do hlky 2 m.	Pozor! Nebezpečné ultrafialové žiarenie.	Pri mraze prístroj odinštalovať!	Krehké, manipulujte s veľkou opatrnosťou. Pozor! Nebezpečenstvo vzniku rezných poranení.	Nelikvidovať v normálnom komunálnom odpade!	Pozor! Přečítajte si Návod na použitie
<b>SI</b>	Ne prepušča prahu. Ne prepušča vode do globinen 2 m.	Pozor! Nevarno UVC-sevanje!	Ob zmrzali demontirajte napravo!	Krško, zato ravnajte previdno. Pozor! Nevarnost za poškodbe pri rezanju.	Ne zavrzite skupaj z gospodinjiskimi odpadki!	Pozor! Preberite navodila za uporabo!
<b>HR</b>	Ne propušta prašinu. Ne propušta vodu do 2 m dubine.	Pažnja! Opasno UVC zračenje!	U slučaju mraza deinstalirajte uređaj!	Lomljivo, ophoditi sa pažnjom. Pozor! Opasnost od posjekotina.	Nemojte ga bacati u običan kućni otpad!	Pažnja! Pročitajte upute za upotrebu!
<b>RO</b>	Etanș la praf. Etanș la apă, până la o adâncime de 2 m.	Atenție! Radiații ultraviolete periculoase!	În perioadele cu îngheț dezinstalați aparatul !	Casant, manevrați cu atenție. Atenție! Pericol de producere a rănilor prin tăiere.	Nu aruncați în gunoii menajer !	Atenție ! Citiți instrucțiunile de utilizare !
<b>BG</b>	Зашитено от прах. Водоустойчив до дълбочина 2 м.	Внимание! Опасно ултравиолетово лъчение!	При опасност от измръзване деинсталирайте уреда!	Чупливо, манипулирайте внимателно. Внимание! Опасност от порязване.	Не изхвърляйте заедно с обикновенния домакински боклук!	Внимание! Прочетете улъванетоо
<b>UA</b>	Пилонепроникний. Водонепроникний до 2 м.	Увага! Небезпечне ультрафіолетове випромінювання!	Перед морозами пристрій необхідно демонтувати	Поводитися обережно, б'ється. Увага! Небезпека травмування порізами.	Не викидайте разом із побутовими сміттям!	Увага! Читайте інструкцію.
<b>RU</b>	Пыленепрониц. Водонепрониц. на глубине до 2 м.	Внимание! Опасное коротковолновое УФ-излучение!	При наступлении морозов прибор демонтировать!	Обыющийся материал, обращайтесь осторожно. Внимание! Опасность повреждений от пореза.	Не утилизировать вместе с домашним мусором!	Внимание! Прочитайте инструкцию по использованию
<b>CN</b>	防尘。至 2 米深防水。	注意！ 危险的紫外线照射！	霜冻时，拆卸设备！	易碎，小心轻放！ 注意！小心割伤！	不要同普通的家庭垃圾一起丢弃！	注意！ 请阅读使用说明书。

PondoReil 3000	
Pos.	
1	16577
2	13705
3	13623
4	28224
5	28553
6	13965
7	35762
8	35897
9	27891
10	12049
11	19475
12	13646
13	57111
A	13966





**PfG GmbH**  
Tecklenburger Straße 161  
D - 48469 Hörstel  
Germany  
[www.pontec.com](http://www.pontec.com)

CE

16773/05G